

DaVinci Custom Fireplace™

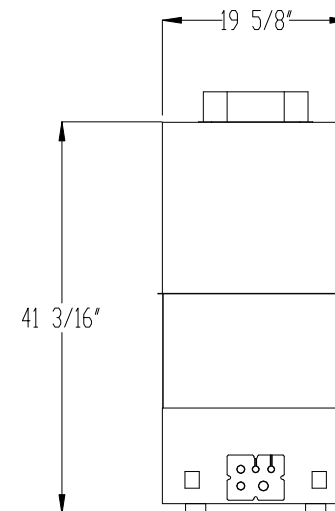
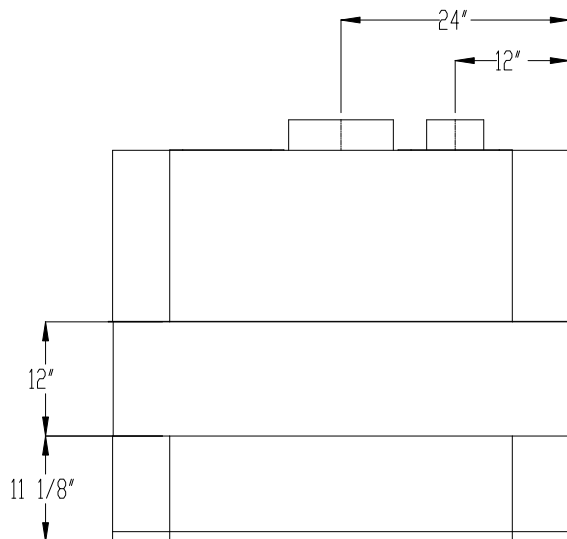
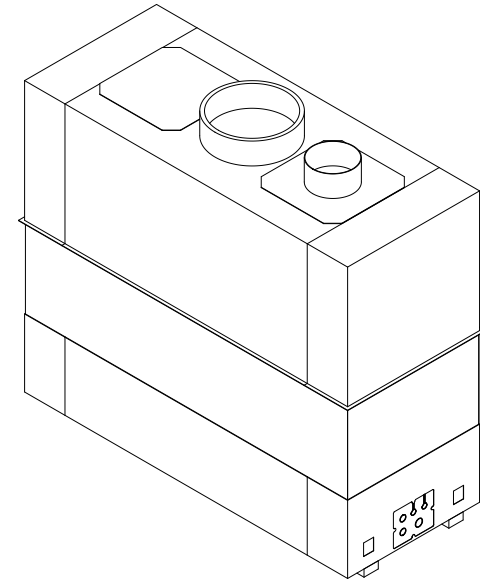
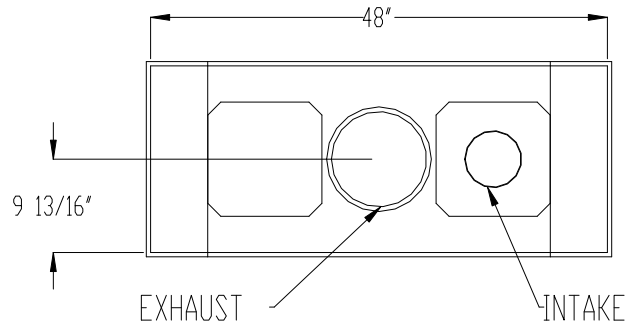
STYLE: ISLAND 48" x 12"

Electrical Req'd - 7A 120V

Gas Req'd - 43,500 BTU's

NG - Min = 5.5"wc (1.37kpa), Max = 7"wc (1.74 kpa)

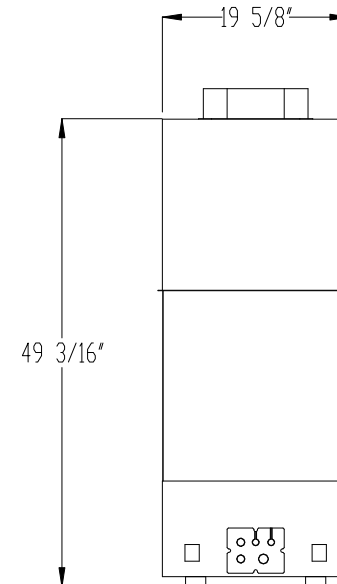
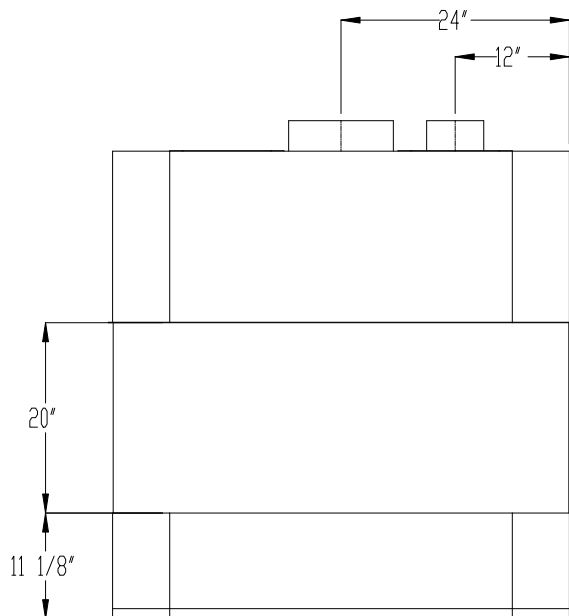
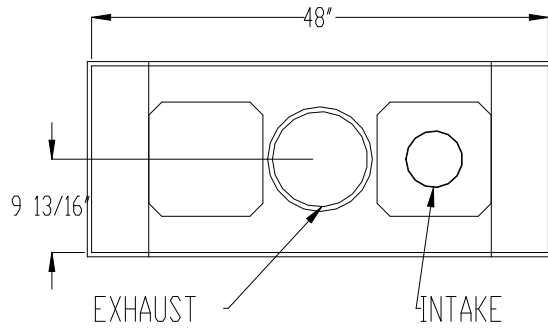
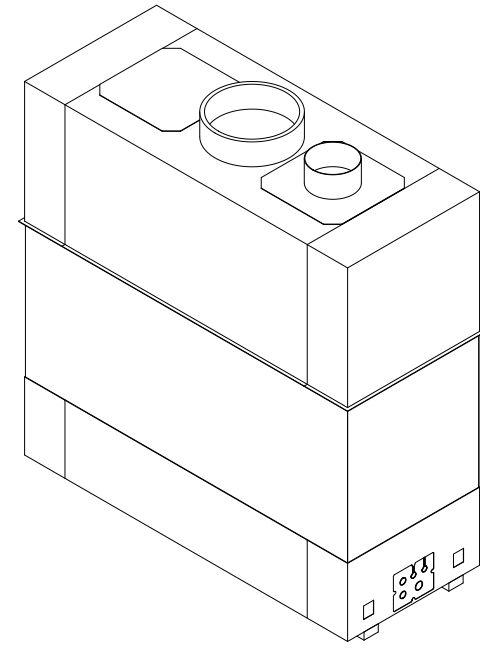
LP - Min = 11"wc (2.74 kpa), Max = 13"wc (3.23 kpa)



DaVinci Custom Fireplace™  
STYLE: ISLAND 48" x 20"

Electrical Req'd - 7A 120V      Gas Req'd - 43,500 BTU's

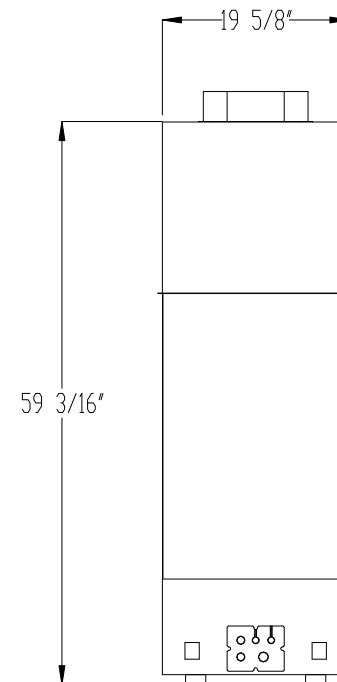
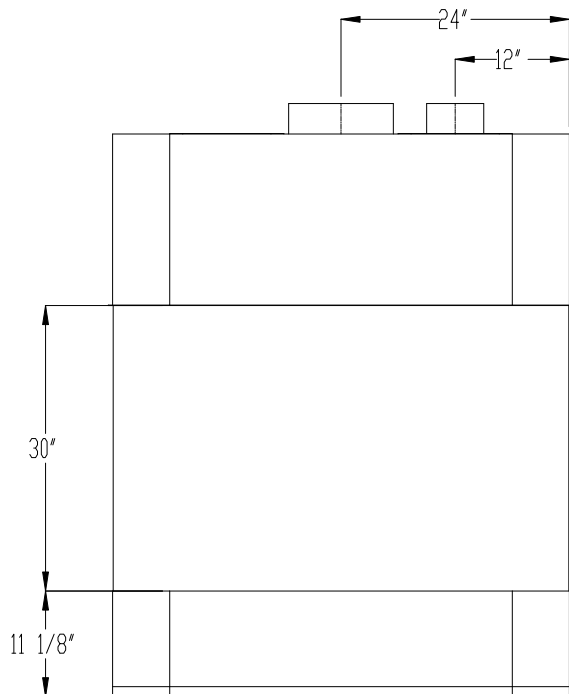
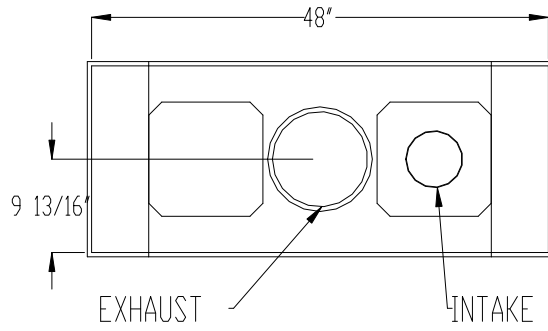
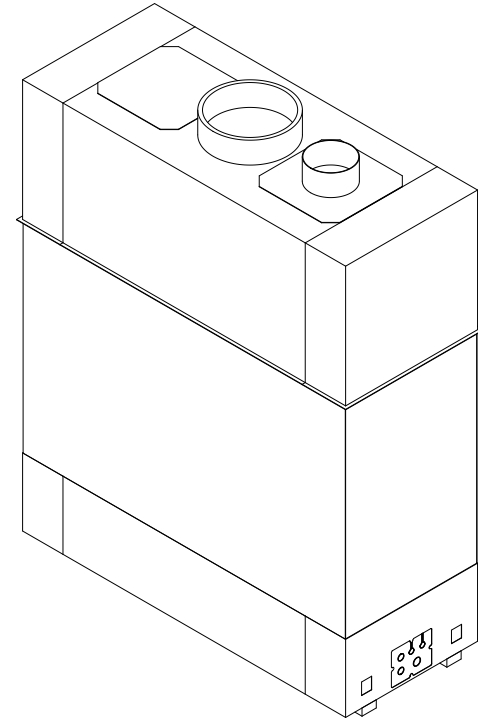
NG - Min = 5.5"wc (1.37kpa), Max = 7"wc (1.74 kpa)  
LP - Min = 11"wc (2.74 kpa), Max = 13"wc (3.23 kpa)



DaVinci Custom Fireplace™  
STYLE: ISLAND 48" x 30"

Electrical Req'd - 7A 120V      Gas Req'd - 43,500 BTU's

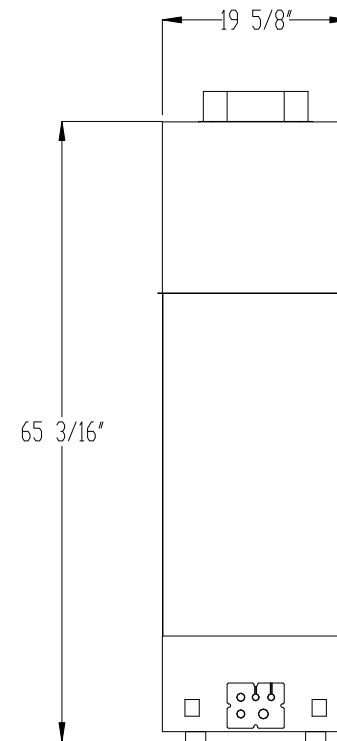
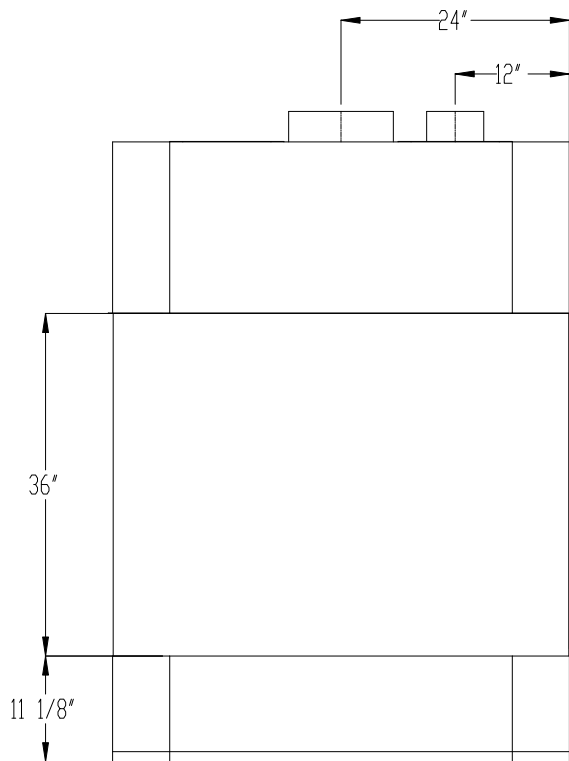
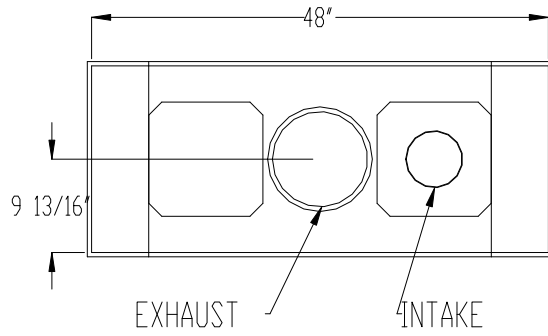
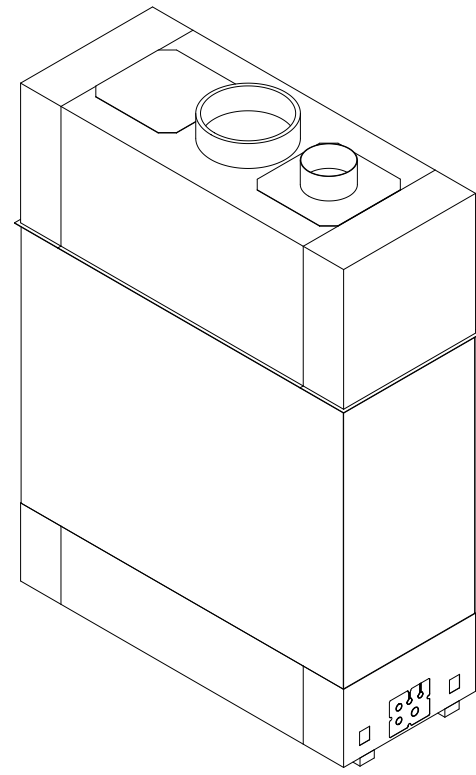
NG - Min = 5.5"wc (1.37kpa), Max = 7"wc (1.74 kpa)  
LP - Min = 11"wc (2.74 kpa), Max = 13"wc (3.23 kpa)



DaVinci Custom Fireplace™  
STYLE: ISLAND 48" x 36"

Electrical Req'd - 7A 120V      Gas Req'd - 43,500 BTU's

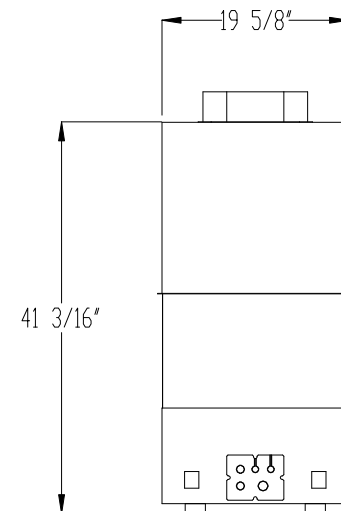
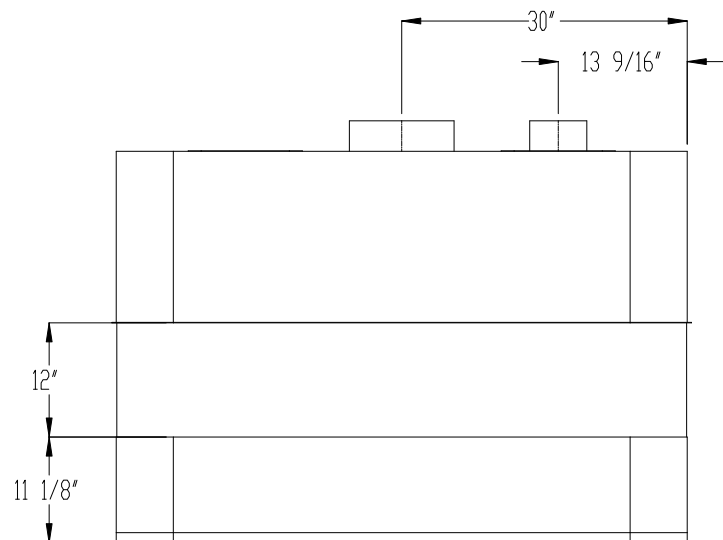
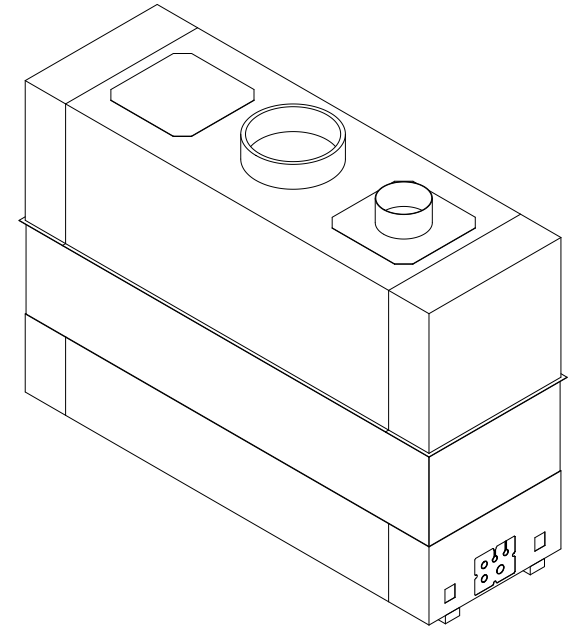
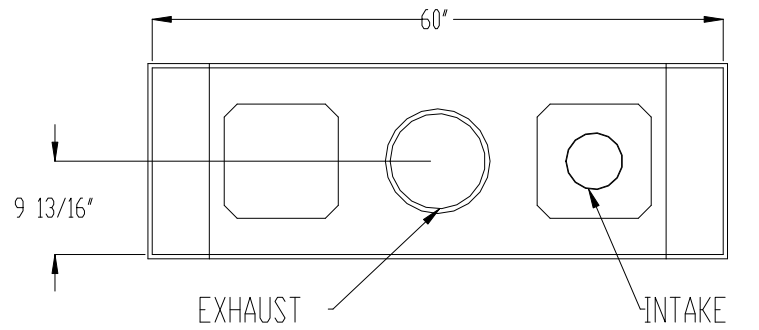
NG - Min = 5.5"wc (1.37kpa), Max = 7"wc (1.74 kpa)  
LP - Min = 11"wc (2.74 kpa), Max = 13"wc (3.23 kpa)



DaVinci Custom Fireplace™  
STYLE: ISLAND 60" x 12"

Electrical Req'd - 7A 120V      Gas Req'd - 58,000 BTU's

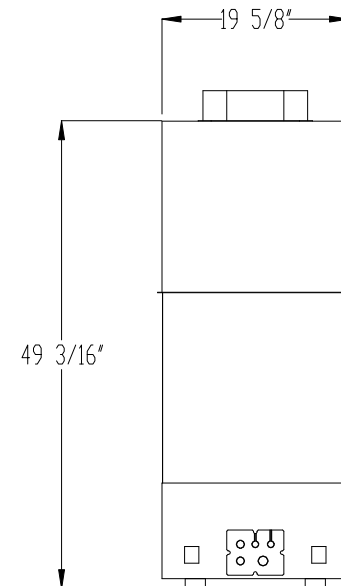
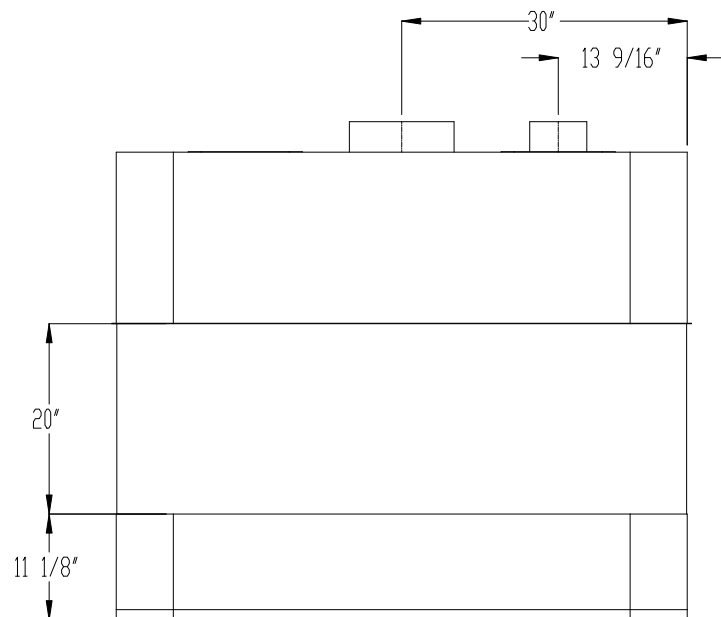
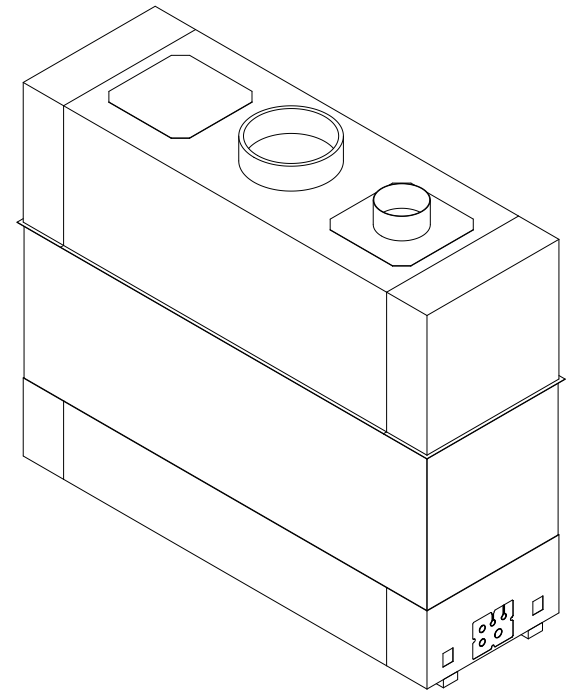
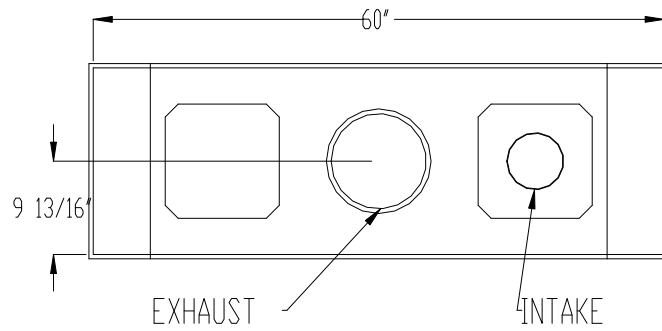
NG - Min = 5.5"wc (1.37kpa), Max = 7"wc (1.74 kpa)  
LP - Min = 11"wc (2.74 kpa), Max = 13"wc (3.23 kpa)



DaVinci Custom Fireplace™  
STYLE: ISLAND 60" x 20"

Electrical Req'd - 7A 120V      Gas Req'd - 58,000 BTU's

NG - Min = 5.5"wc (1.37kpa), Max = 7"wc (1.74 kpa)  
LP - Min = 11"wc (2.74 kpa), Max = 13"wc (3.23 kpa)

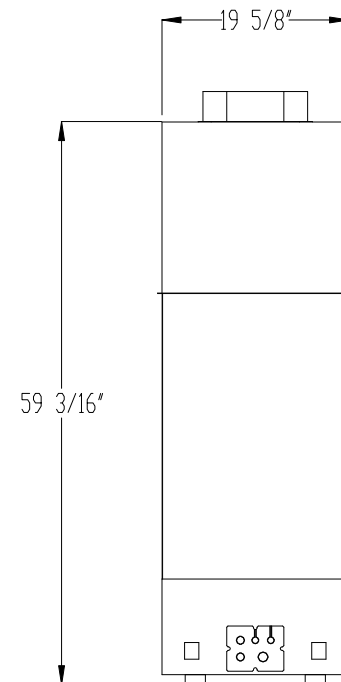
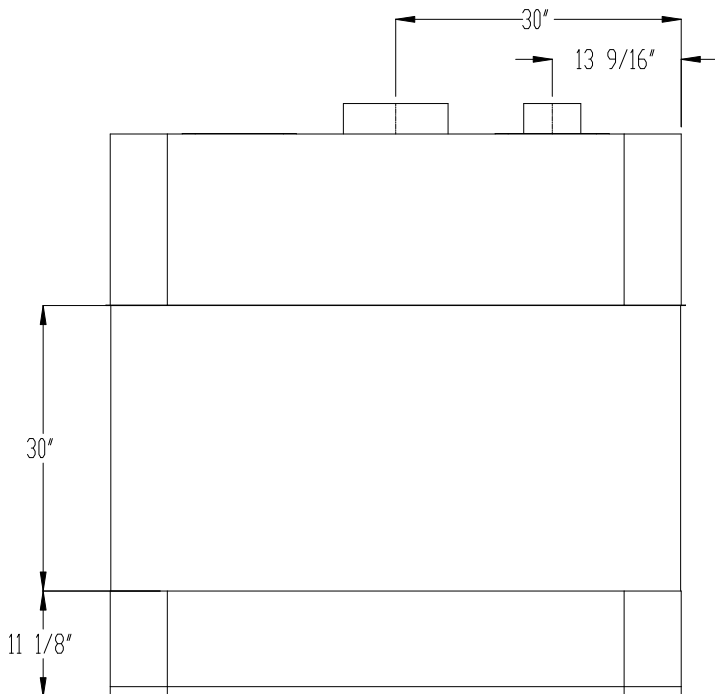
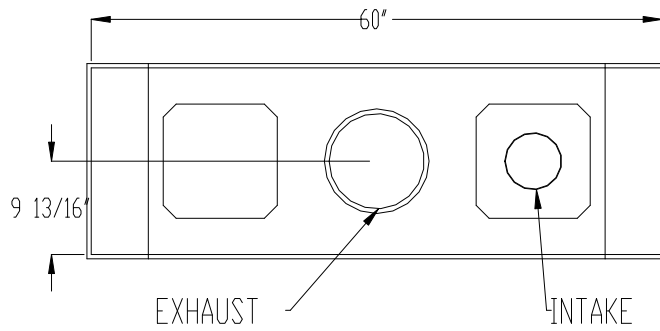
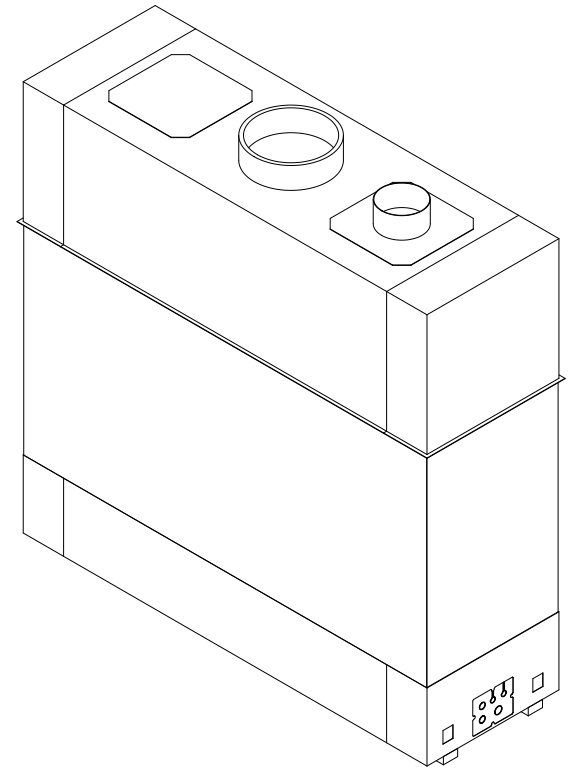


DaVinci Custom Fireplace™  
STYLE: ISLAND 60" x 30"

Electrical Req'd - 7A 120V

Gas Req'd - 58,000 BTU's

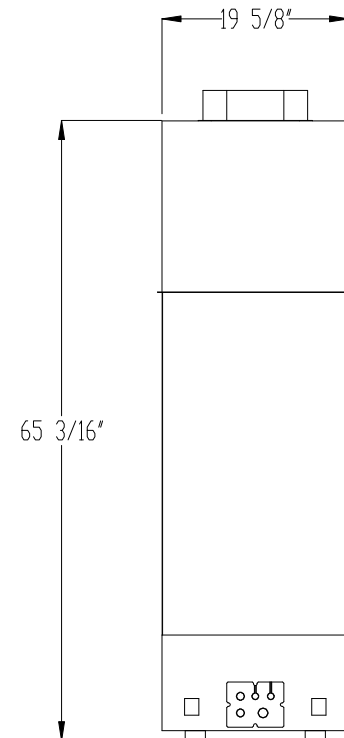
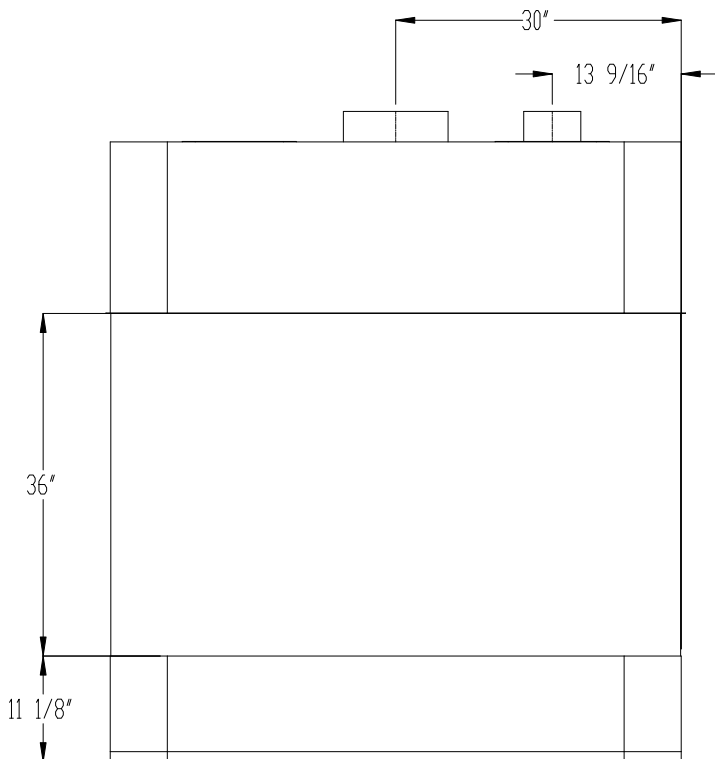
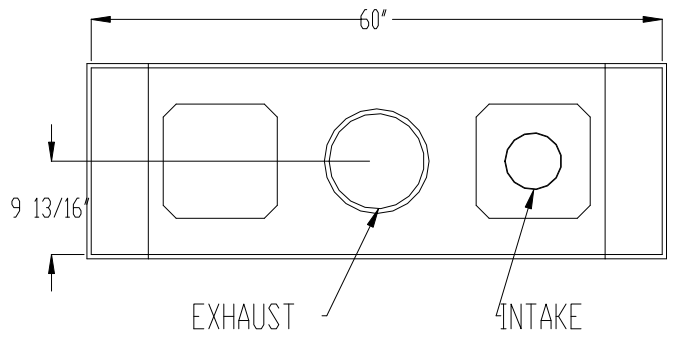
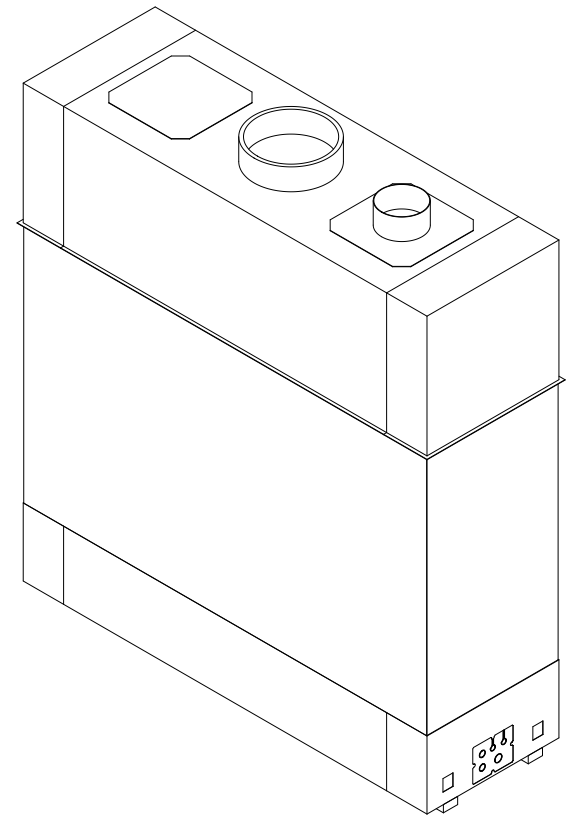
NG - Min = 5.5"wc (1.37kpa), Max = 7"wc (1.74 kpa)  
LP - Min = 11"wc (2.74 kpa), Max = 13"wc (3.23 kpa)



DaVinci Custom Fireplace™  
STYLE: ISLAND 60" x 36"

Electrical Req'd - 7A 120V      Gas Req'd - 58,000 BTU's

NG - Min = 5.5"wc (1.37kpa), Max = 7"wc (1.74 kpa)  
LP - Min = 11"wc (2.74 kpa), Max = 13"wc (3.23 kpa)

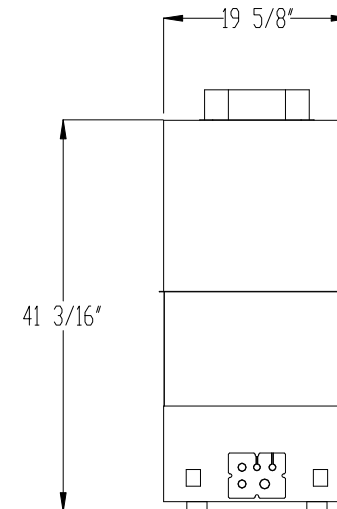
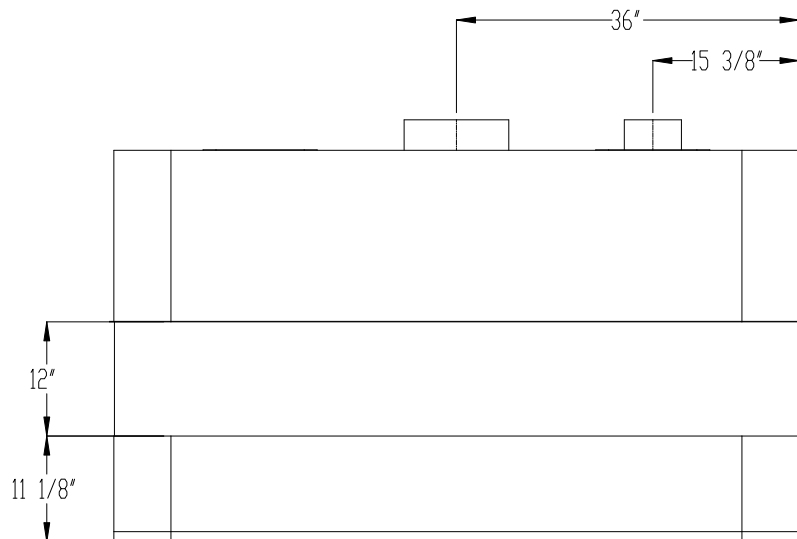
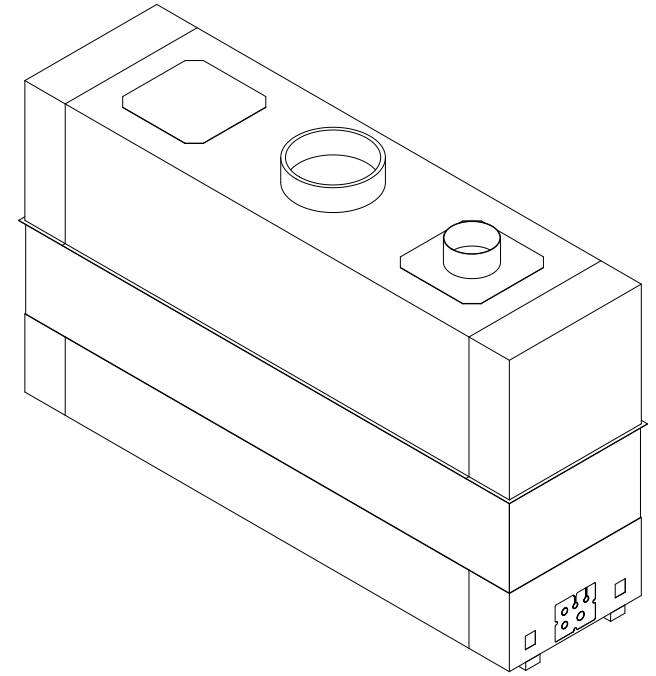
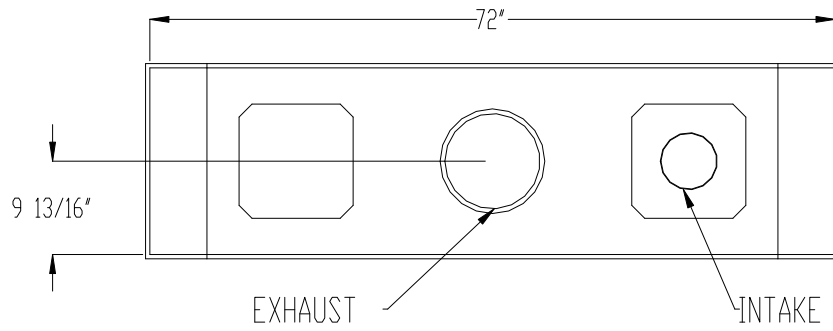




DaVinci Custom Fireplace™  
STYLE: ISLAND 72" x 12"

Electrical Req'd - 7A 120V      Gas Req'd - 72,500 BTU's

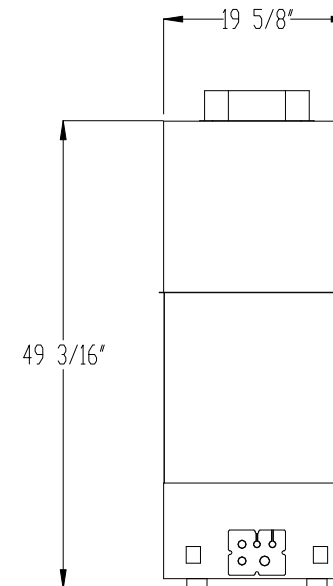
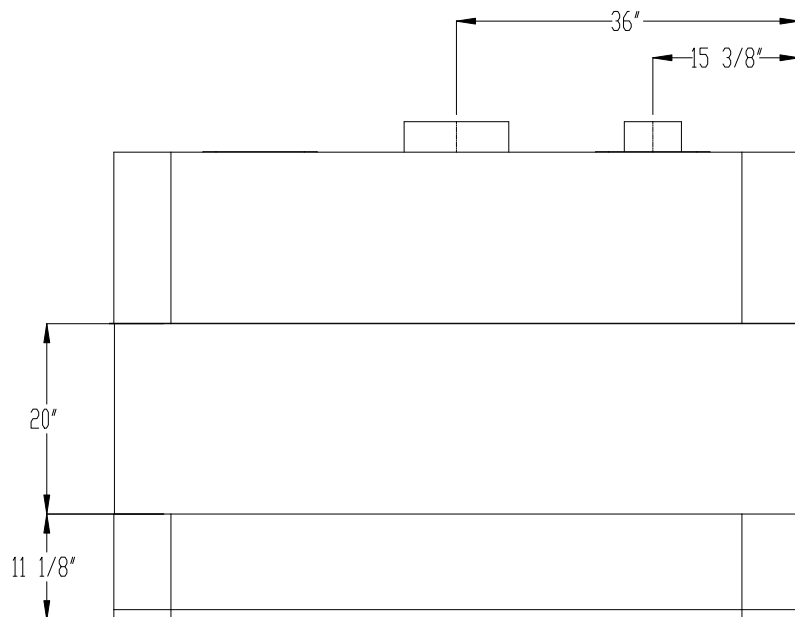
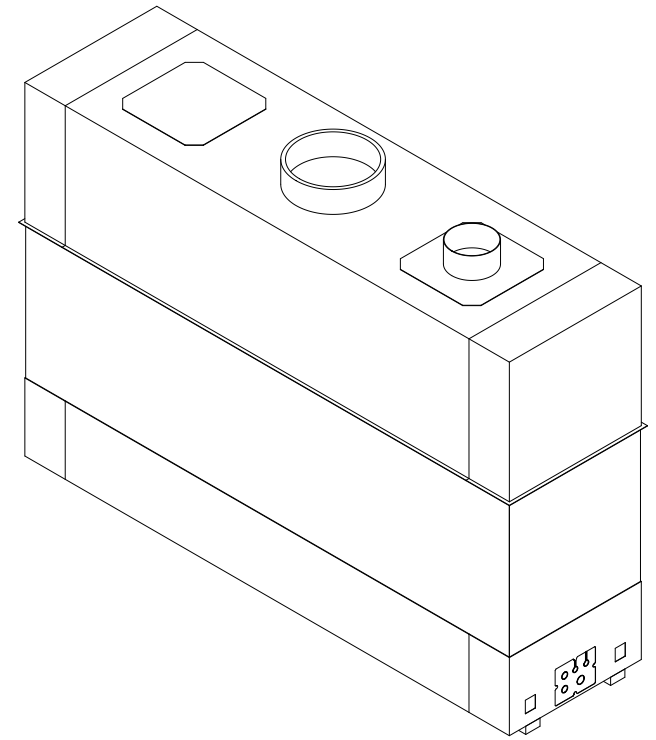
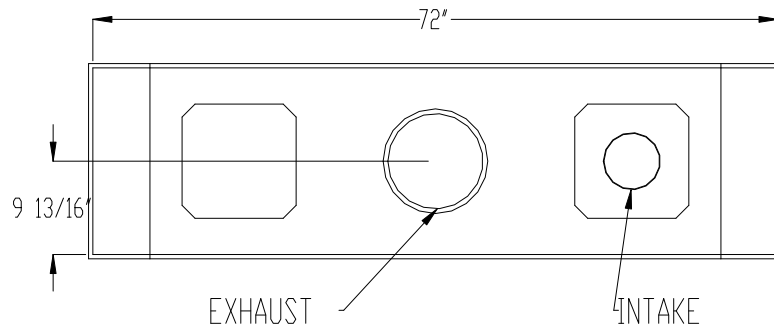
NG - Min = 5.5"wc (1.37kpa), Max = 7"wc (1.74 kpa)  
LP - Min = 11"wc (2.74 kpa), Max = 13"wc (3.23 kpa)



DaVinci Custom Fireplace™  
STYLE: ISLAND 72" x 20"

Electrical Req'd - 7A 120V      Gas Req'd - 72,500 BTU's

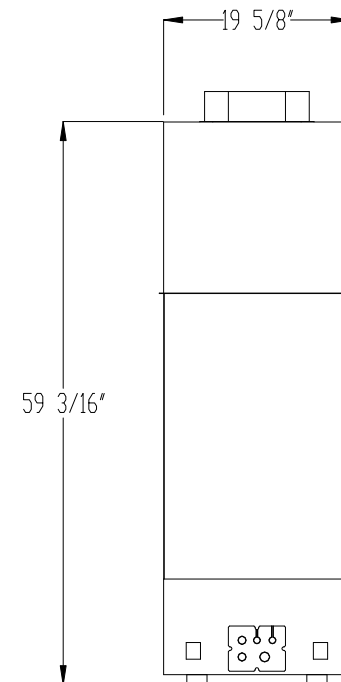
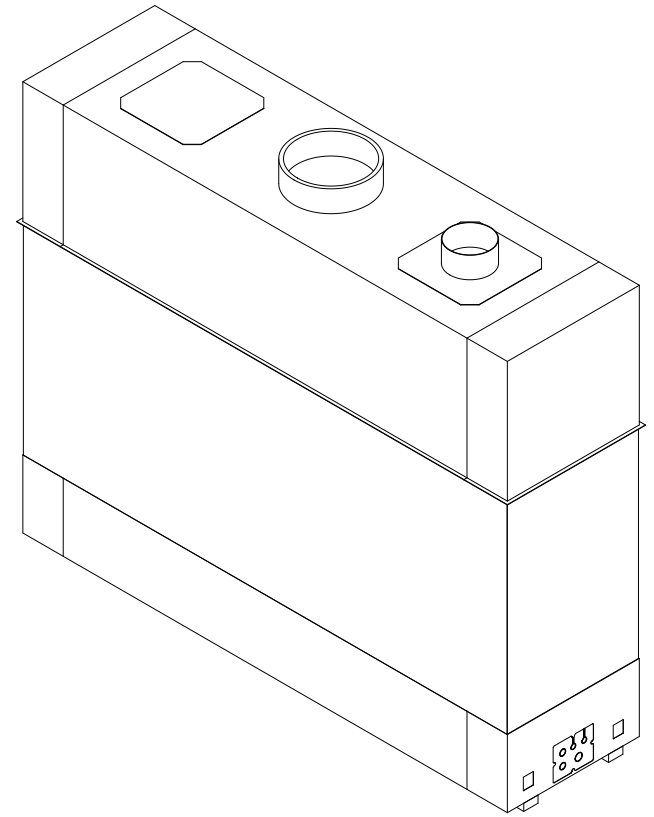
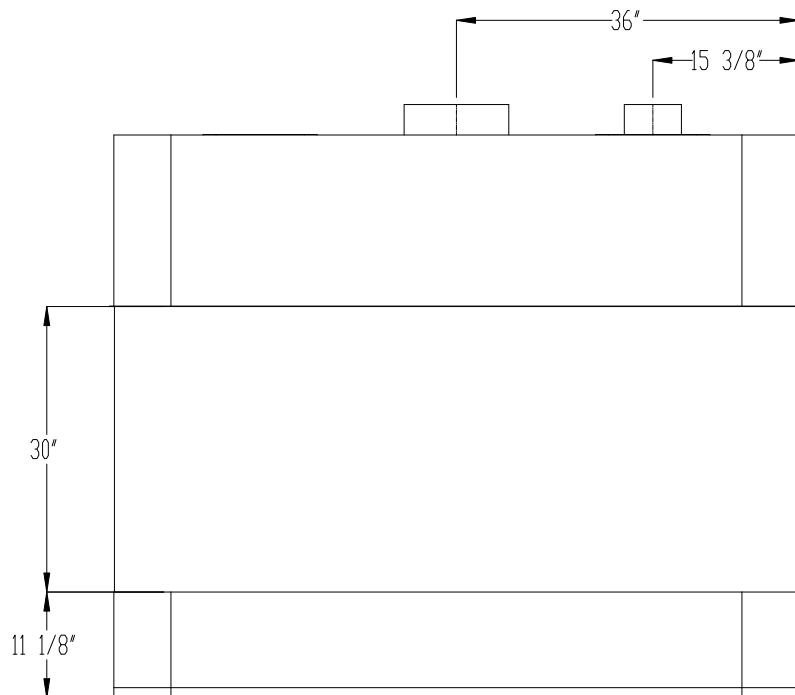
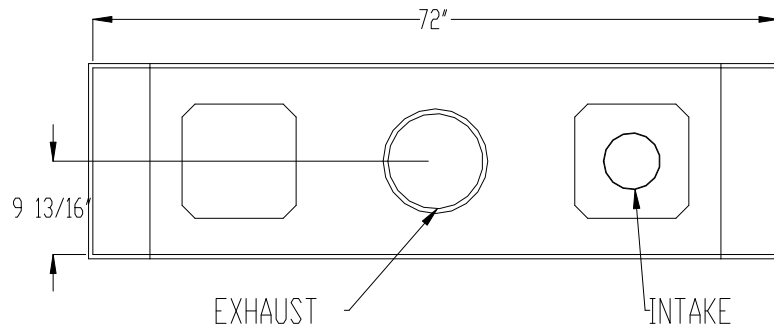
NG - Min = 5.5"wc (1.37kpa), Max = 7"wc (1.74 kpa)  
LP - Min = 11"wc (2.74 kpa), Max = 13"wc (3.23 kpa)



DaVinci Custom Fireplace™  
STYLE: ISLAND 72" x 30"

Electrical Req'd - 7A 120V      Gas Req'd - 72,500 BTU's

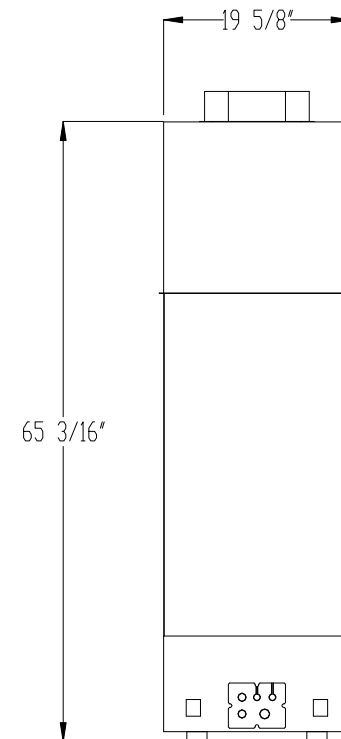
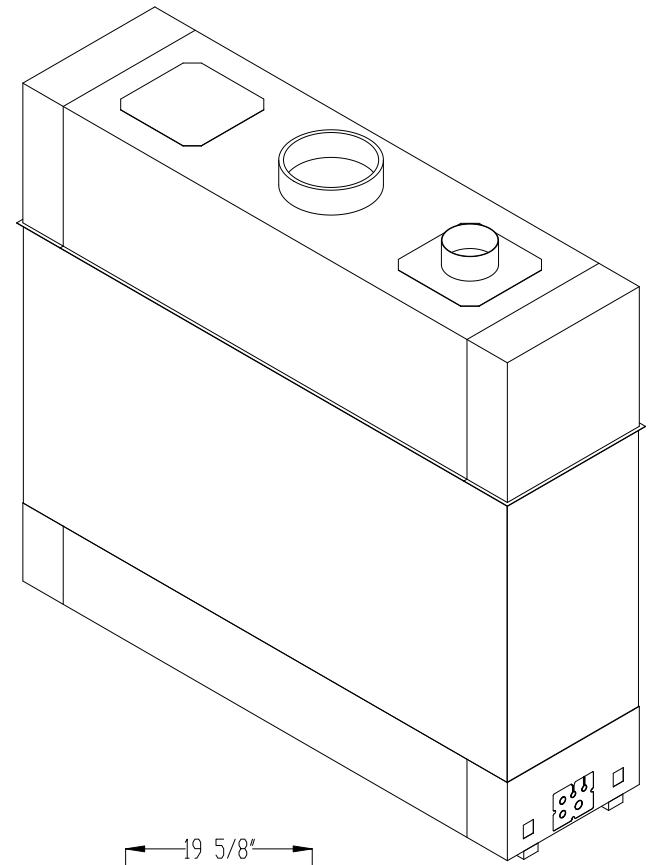
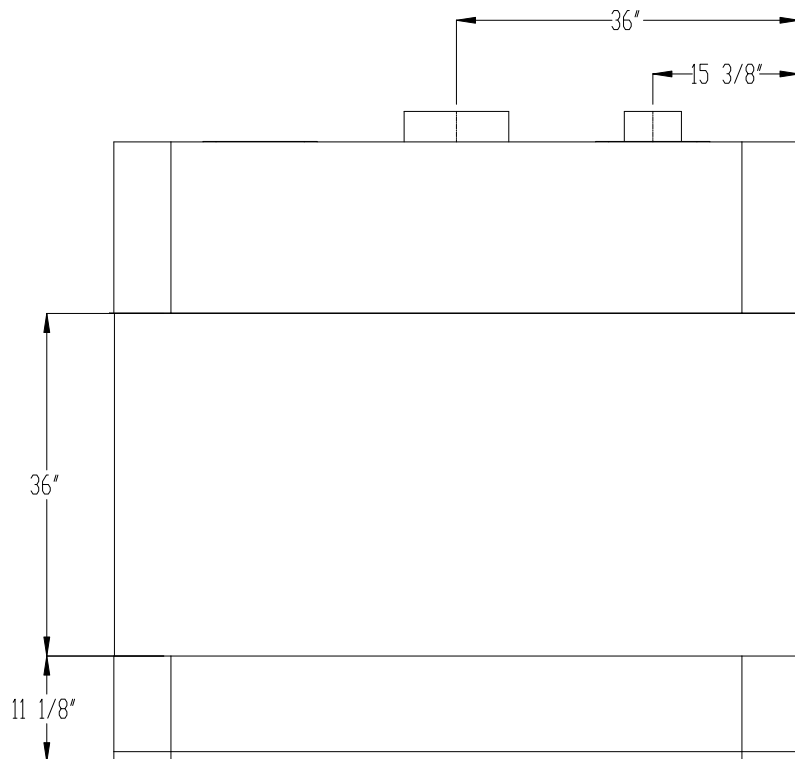
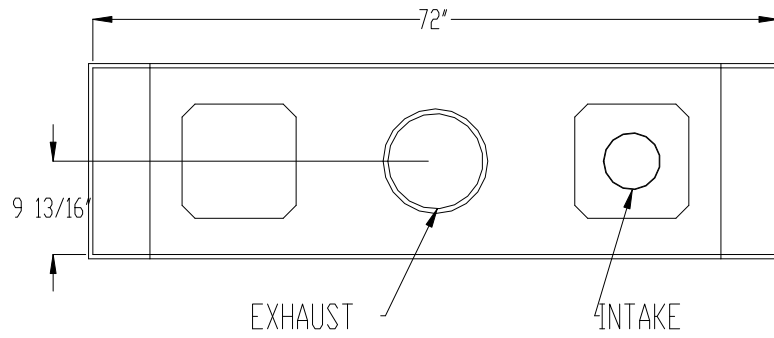
NG - Min = 5.5"wc (1.37kpa), Max = 7"wc (1.74 kpa)  
LP - Min = 11"wc (2.74 kpa), Max = 13"wc (3.23 kpa)



DaVinci Custom Fireplace™  
STYLE: ISLAND 72" x 36"

Electrical Req'd - 7A 120V      Gas Req'd - 72,500 BTU's

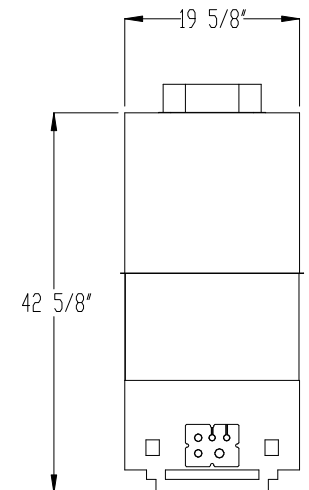
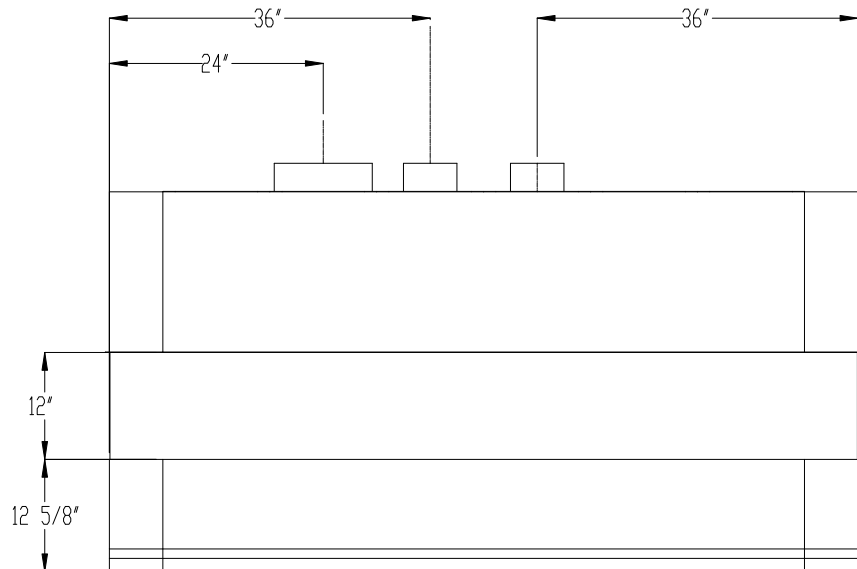
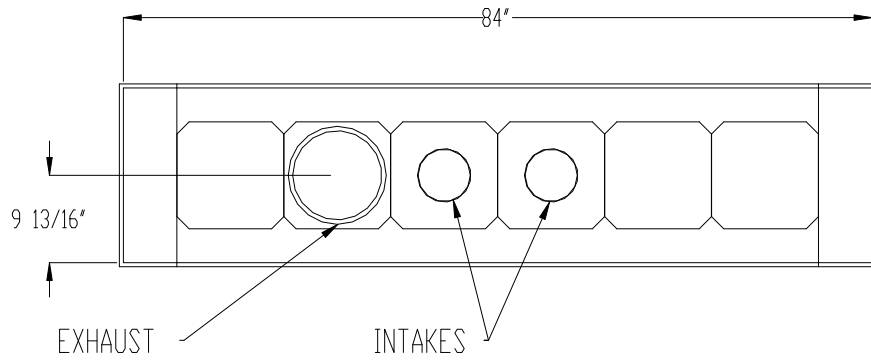
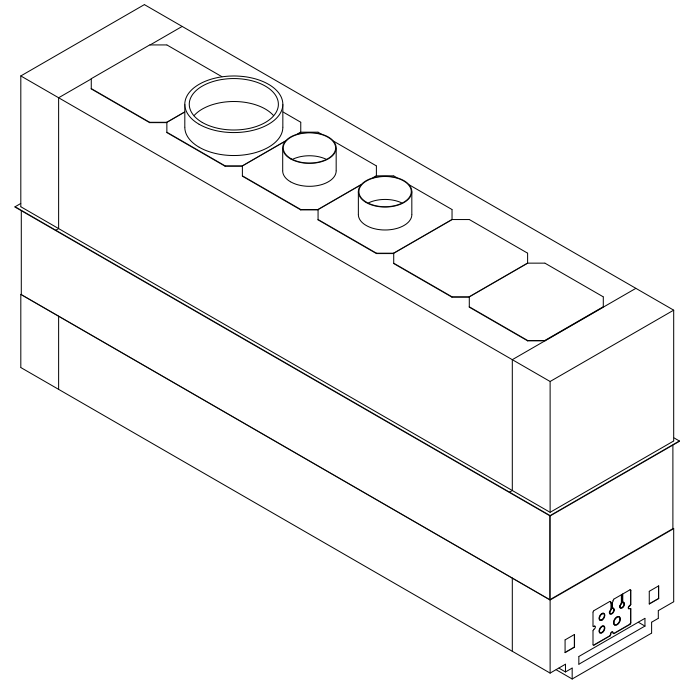
NG - Min = 5.5"wc (1.37kpa), Max = 7"wc (1.74 kpa)  
LP - Min = 11"wc (2.74 kpa), Max = 13"wc (3.23 kpa)



DaVinci Custom Fireplace™  
STYLE: ISLAND 84" x 12"

Electrical Req'd - 7A 120V      Gas Req'd - 87,000 BTU's

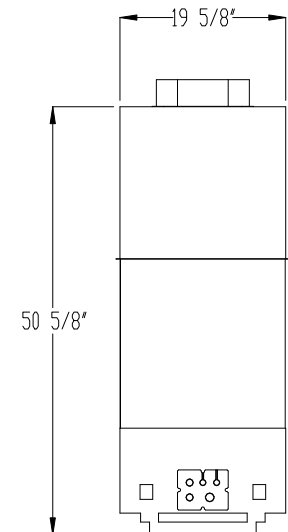
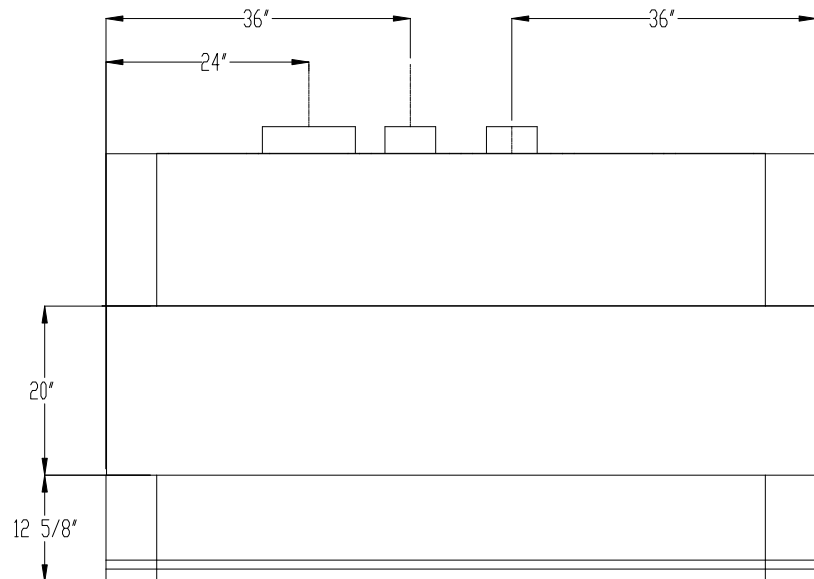
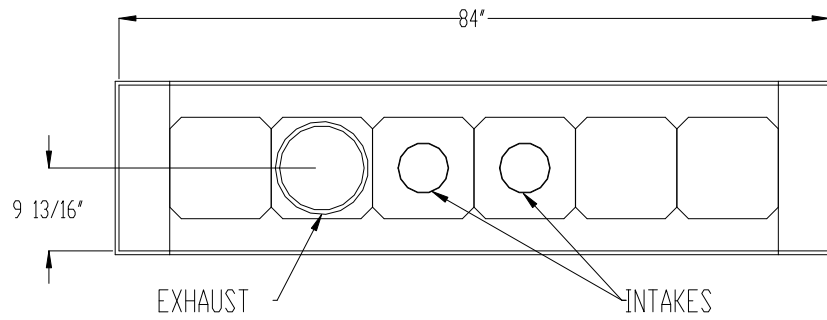
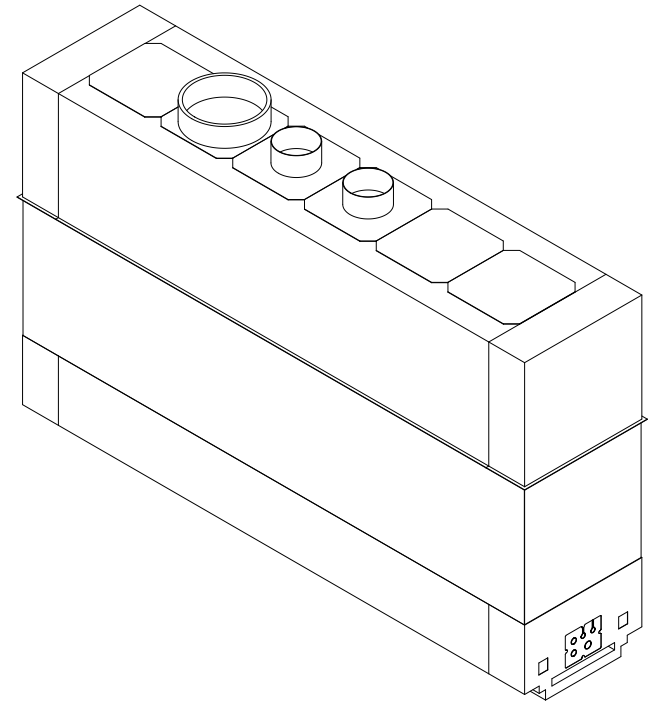
NG - Min = 5.5"wc (1.37kpa), Max = 7"wc (1.74 kpa)  
LP - Min = 11"wc (2.74 kpa), Max = 13"wc (3.23 kpa)



DaVinci Custom Fireplace™  
STYLE: ISLAND 84" x 20"

Electrical Req'd - 7A 120V      Gas Req'd - 87,000 BTU's

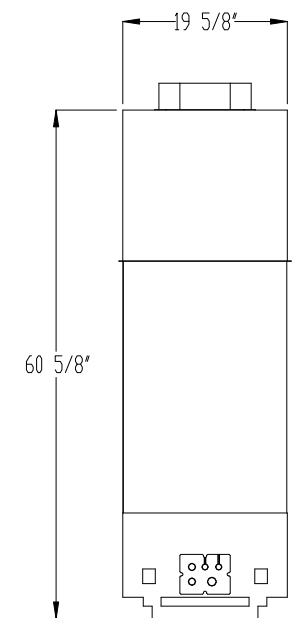
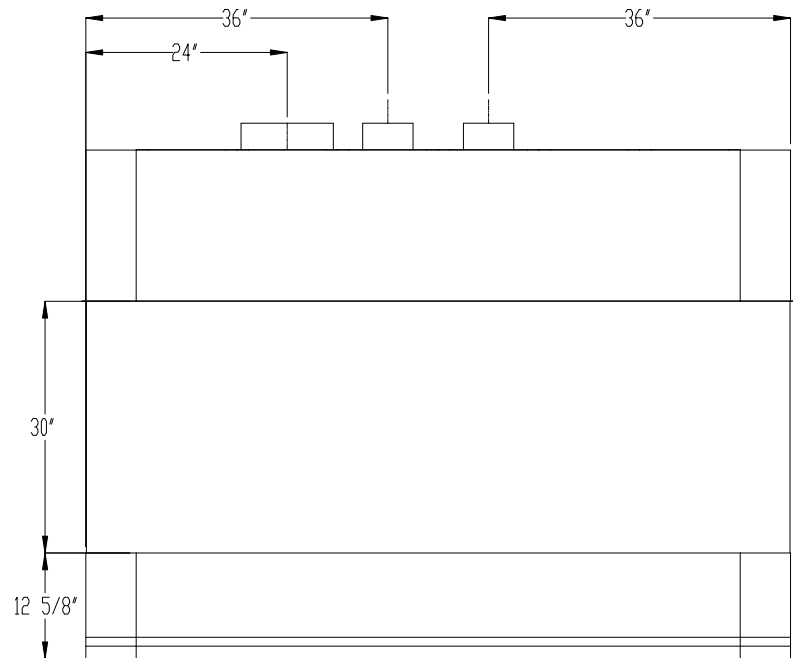
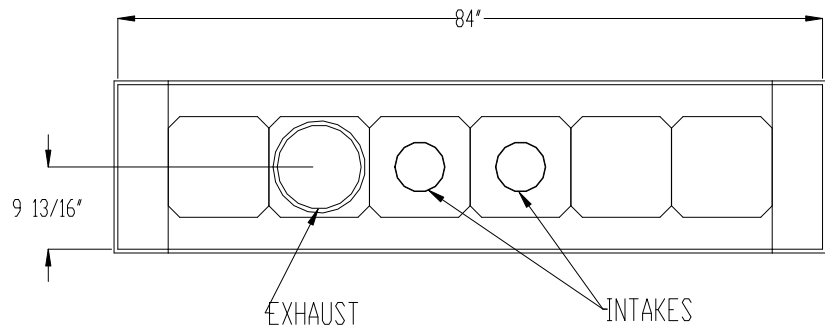
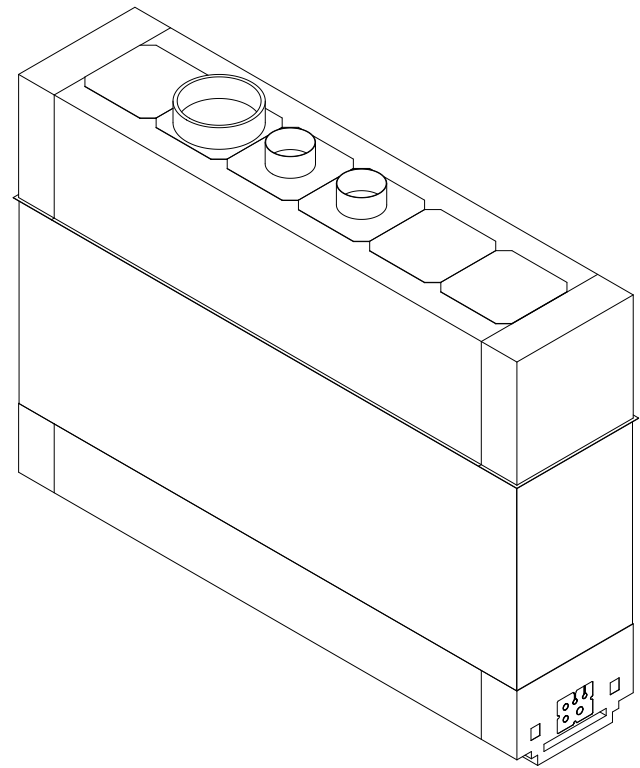
NG - Min = 5.5"wc (1.37kpa), Max = 7"wc (1.74 kpa)  
LP - Min = 11"wc (2.74 kpa), Max = 13"wc (3.23 kpa)



DaVinci Custom Fireplace™  
STYLE: ISLAND 84" x 30"

Electrical Req'd - 7A 120V      Gas Req'd - 87,000 BTU's

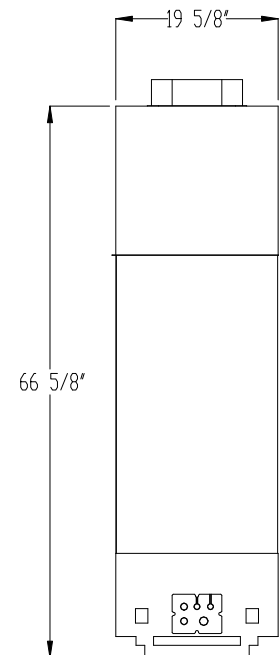
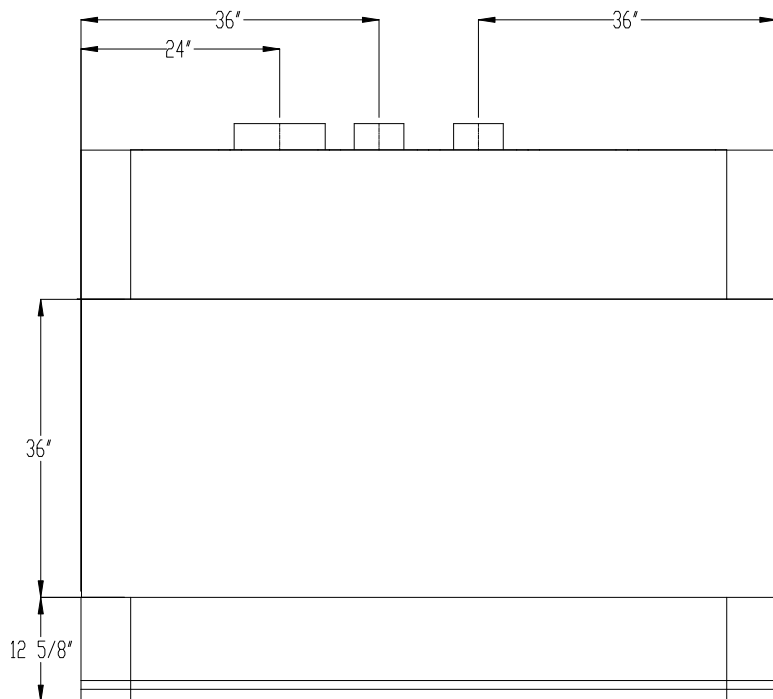
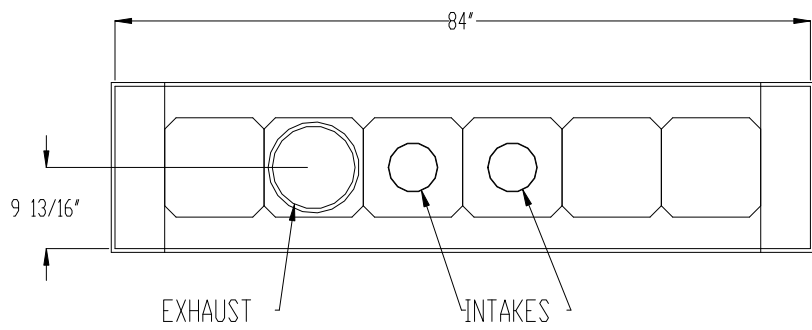
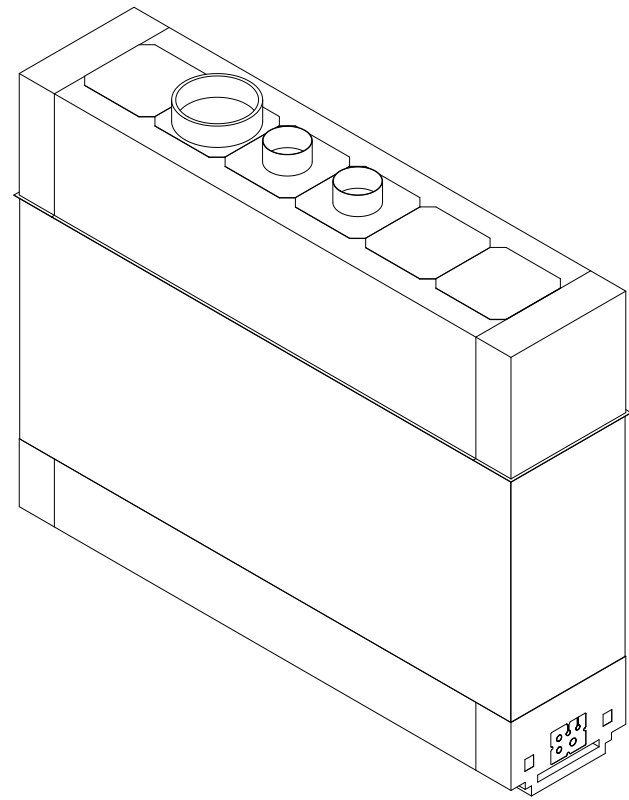
NG - Min = 5.5"wc (1.37kpa), Max = 7"wc (1.74 kpa)  
LP - Min = 11"wc (2.74 kpa), Max = 13"wc (3.23 kpa)



DaVinci Custom Fireplace™  
STYLE: ISLAND 84" x 36"

Electrical Req'd - 7A 120V      Gas Req'd - 87,000 BTU's

NG - Min = 5.5"wc (1.37kpa), Max = 7"wc (1.74 kpa)  
LP - Min = 11"wc (2.74 kpa), Max = 13"wc (3.23 kpa)

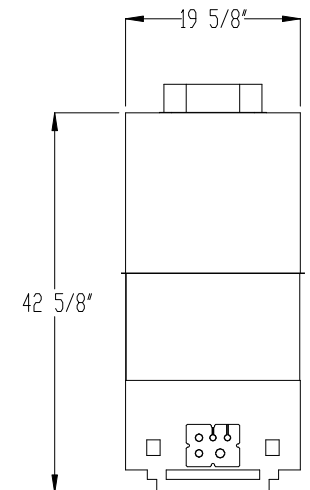
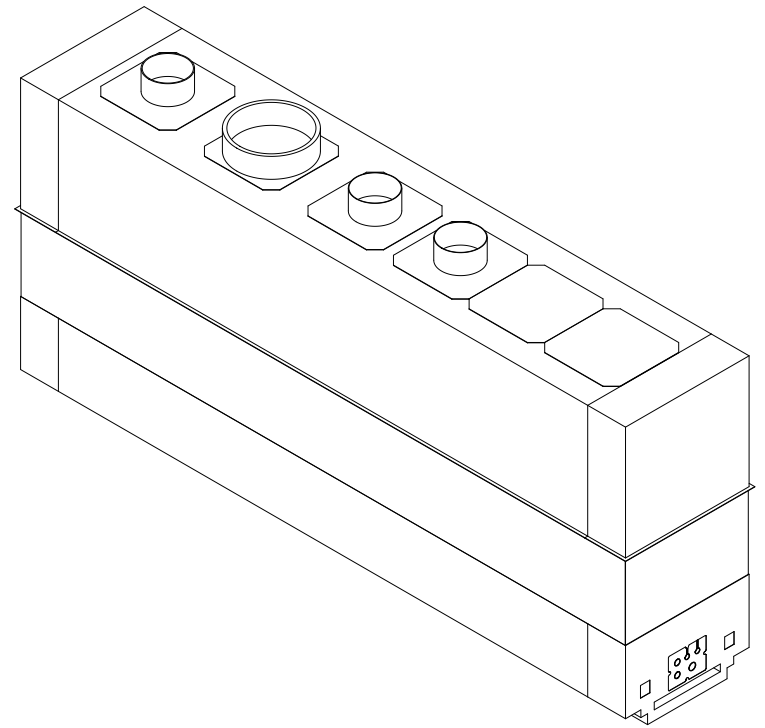
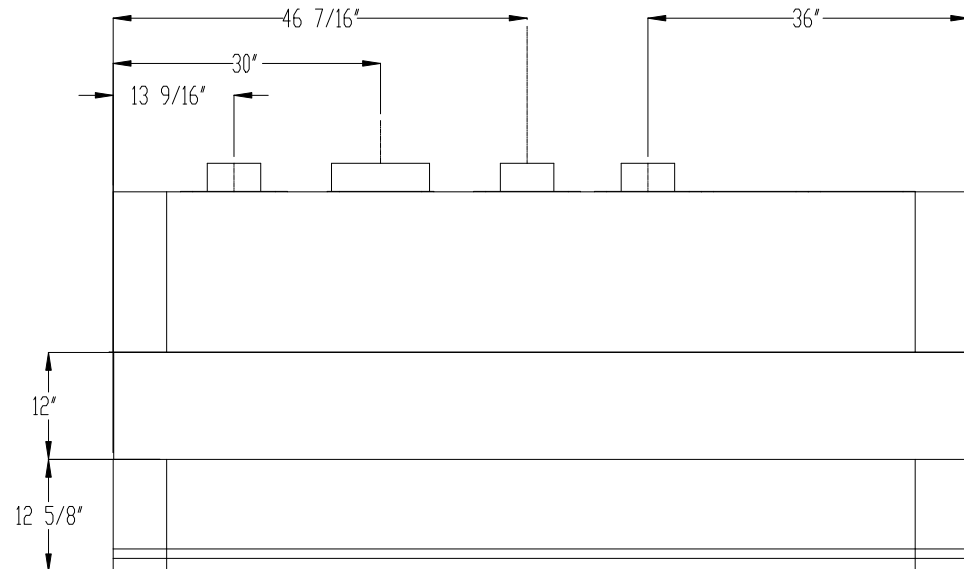
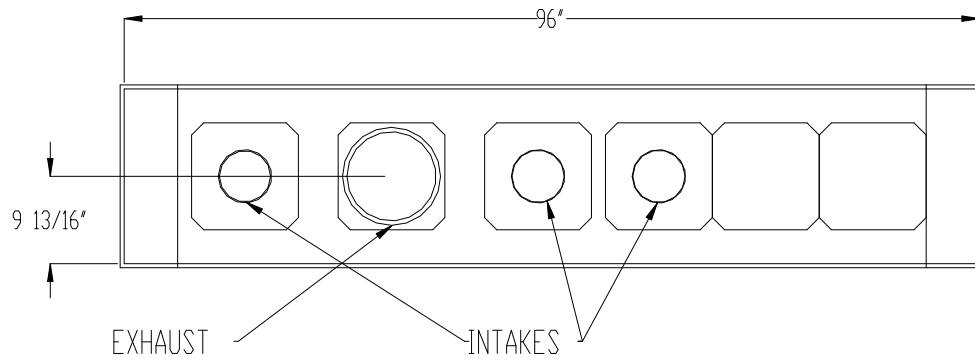




DaVinci Custom Fireplace™  
STYLE: ISLAND 96" x 12"

Electrical Req'd - 7A 120V      Gas Req'd - 101,500 BTU's

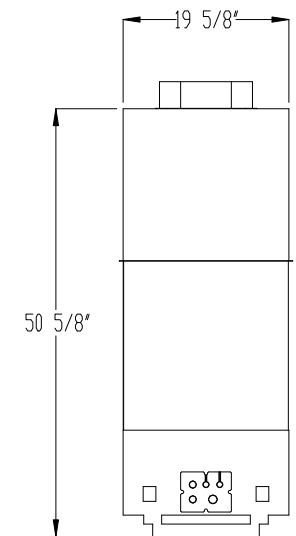
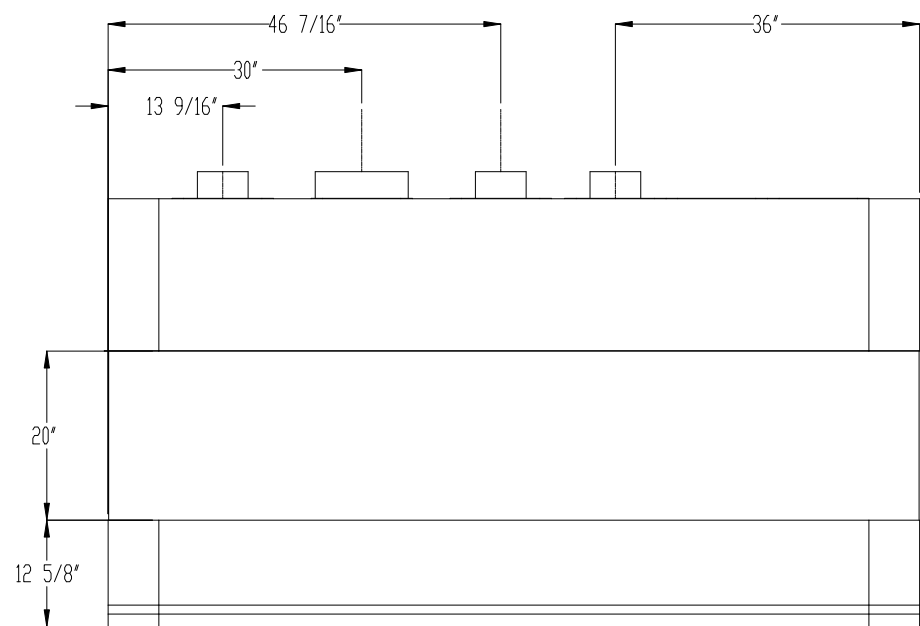
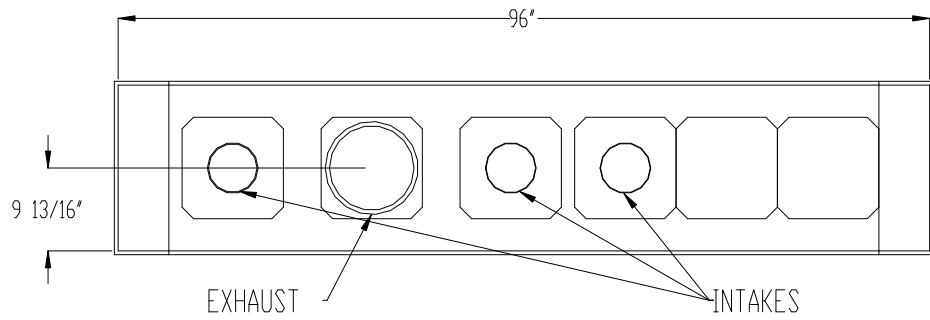
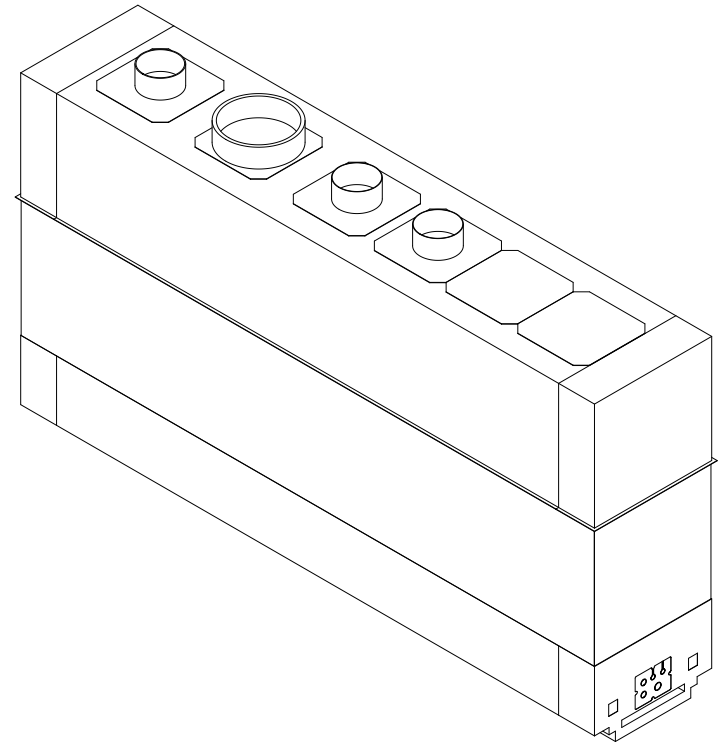
NG - Min = 5.5"wc (1.37kpa), Max = 7"wc (1.74 kpa)  
LP - Min = 11"wc (2.74 kpa), Max = 13"wc (3.23 kpa)



DaVinci Custom Fireplace™  
STYLE: ISLAND 96" x 20"

Electrical Req'd - 7A 120V      Gas Req'd - 101,500 BTU's

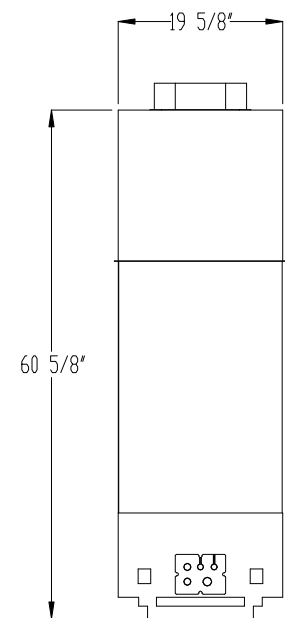
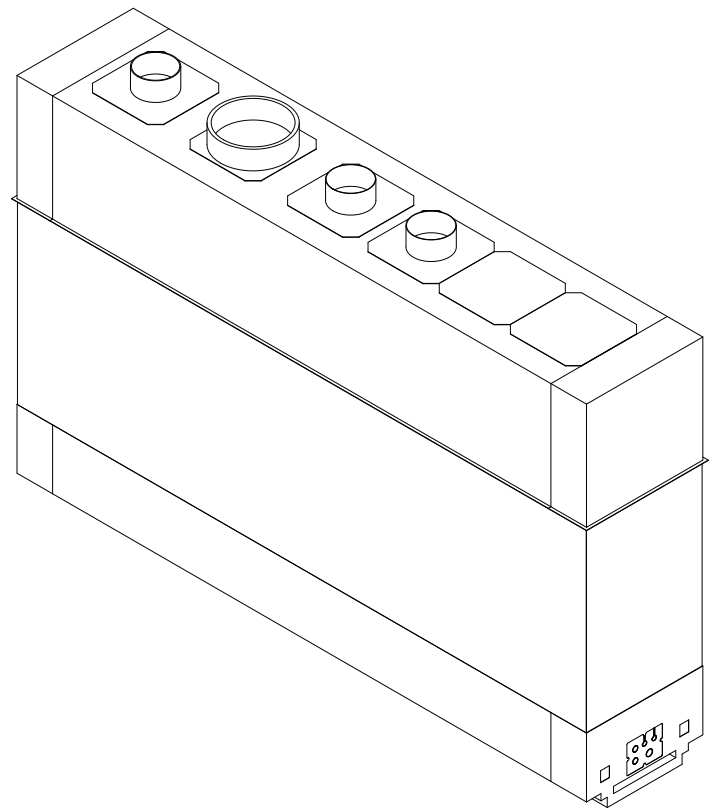
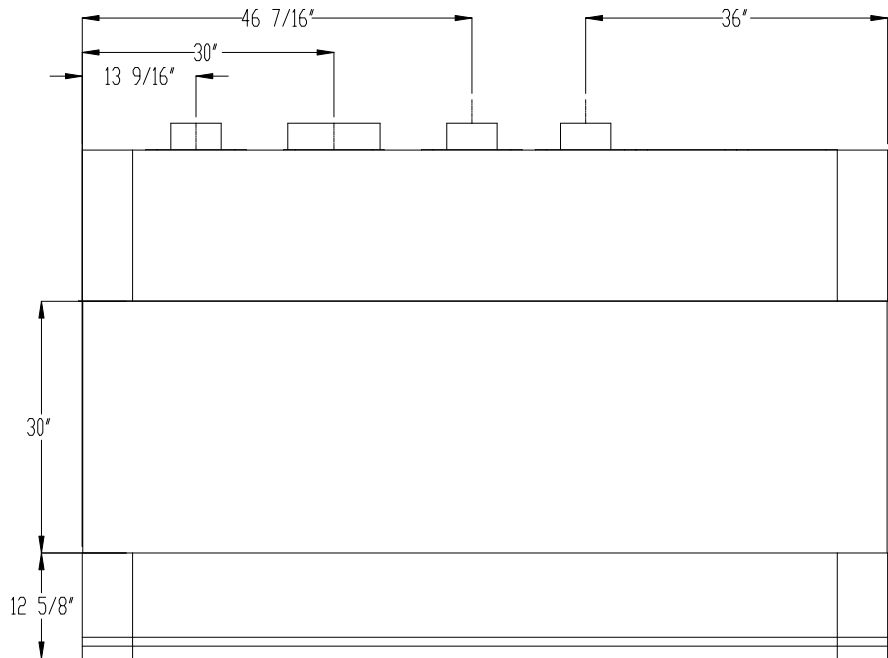
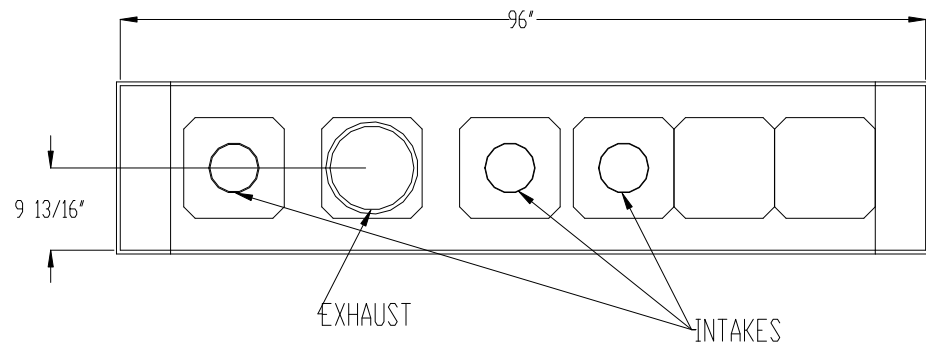
NG - Min = 5.5"wc (1.37kpa), Max = 7"wc (1.74 kpa)  
LP - Min = 11"wc (2.74 kpa), Max = 13"wc (3.23 kpa)



DaVinci Custom Fireplace™  
STYLE: ISLAND 96" x 30"

Electrical Req'd - 7A 120V      Gas Req'd - 101,500 BTU's

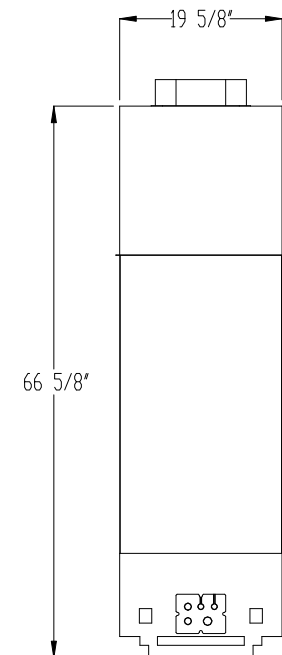
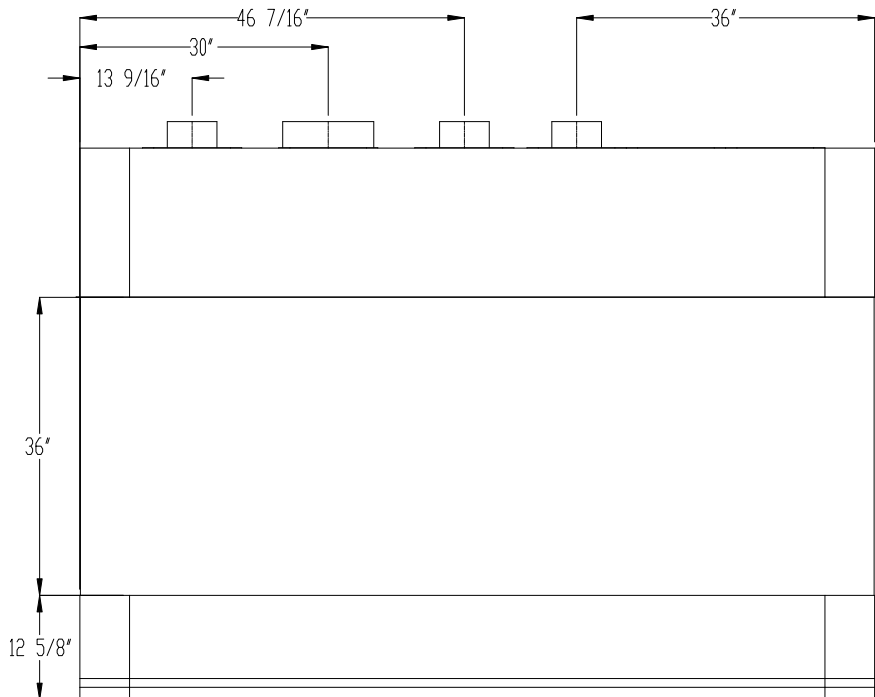
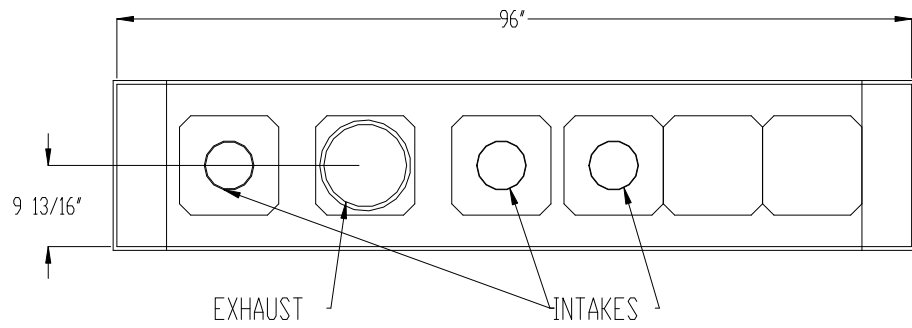
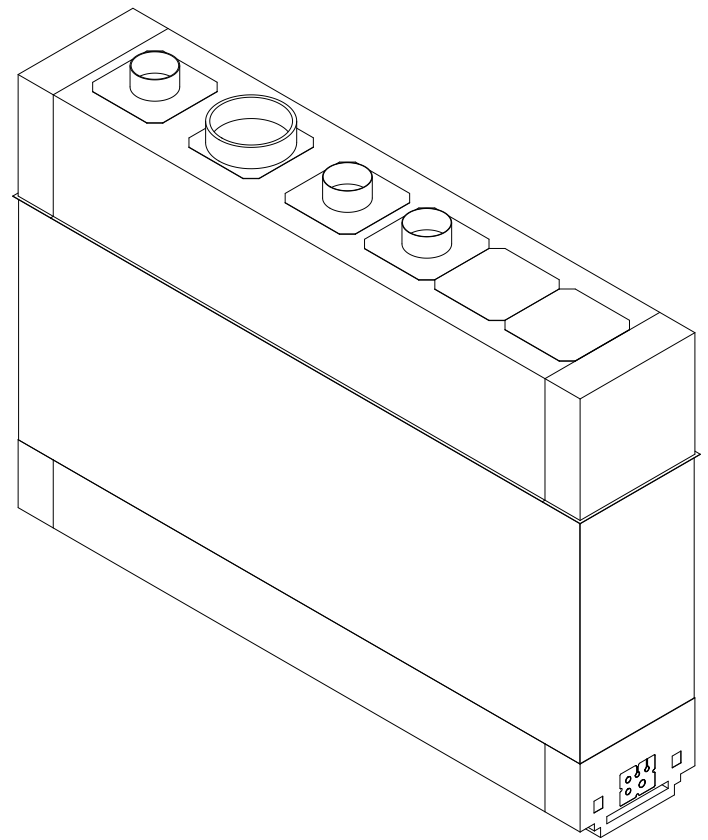
NG - Min = 5.5"wc (1.37kpa), Max = 7"wc (1.74 kpa)  
LP - Min = 11"wc (2.74 kpa), Max = 13"wc (3.23 kpa)



DaVinci Custom Fireplace™  
STYLE: ISLAND 96" x 36"

Electrical Req'd - 7A 120V      Gas Req'd - 101,500 BTU's

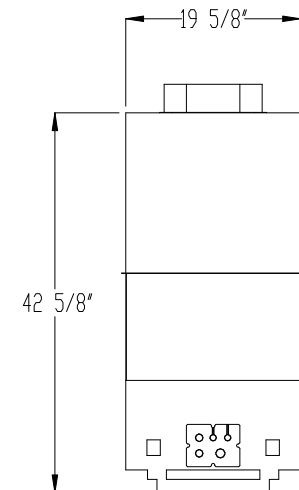
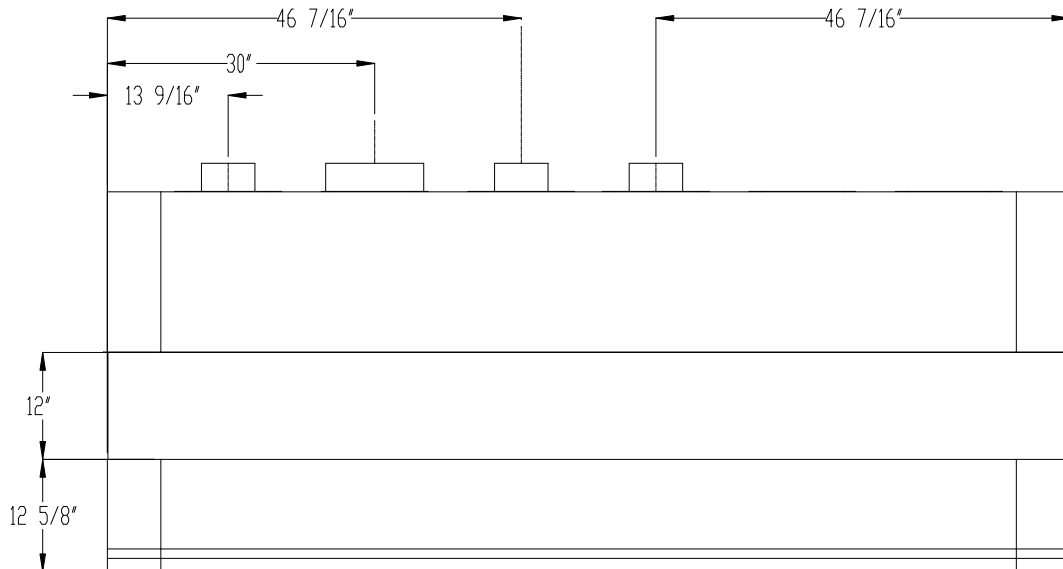
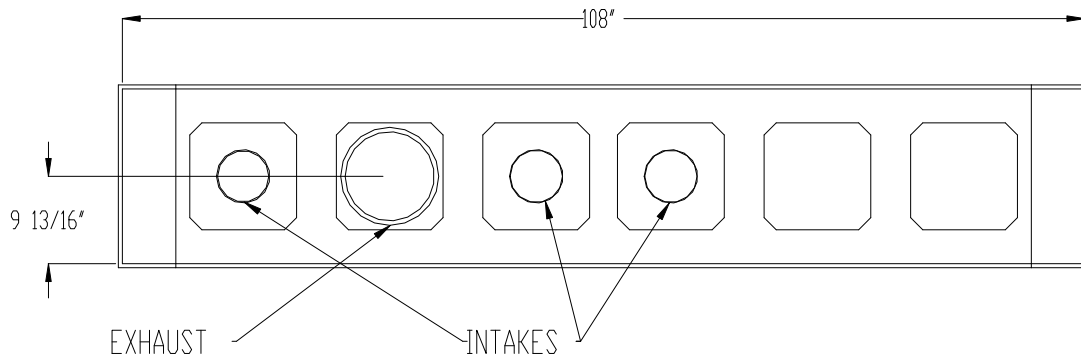
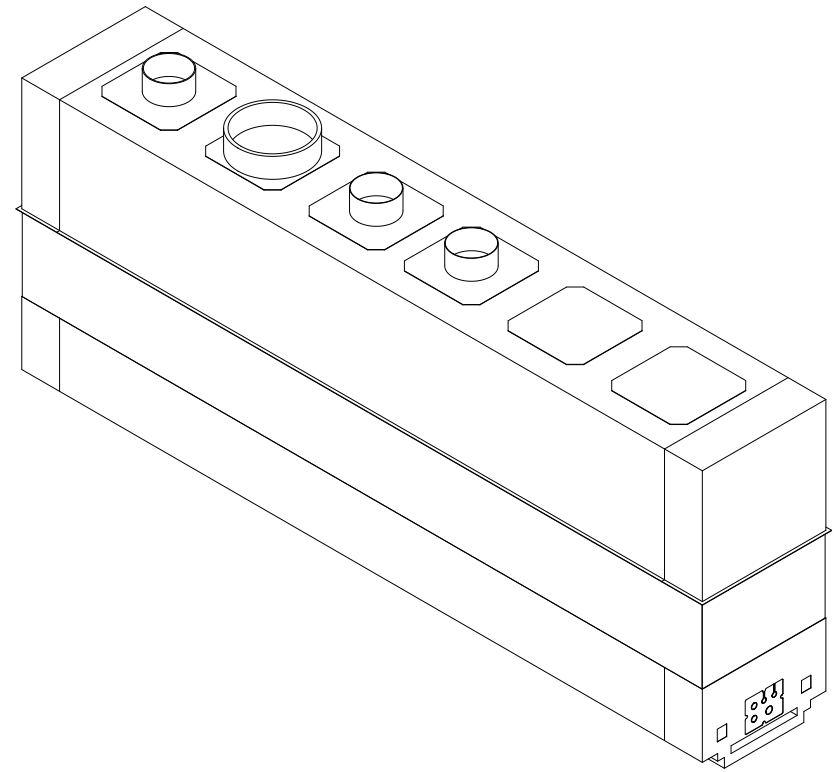
NG - Min = 5.5"wc (1.37kpa), Max = 7"wc (1.74 kpa)  
LP - Min = 11"wc (2.74 kpa), Max = 13"wc (3.23 kpa)



DaVinci Custom Fireplace™  
STYLE: ISLAND 108" x 12"

Electrical Req'd - 7A 120V      Gas Req'd - 116,000 BTU's

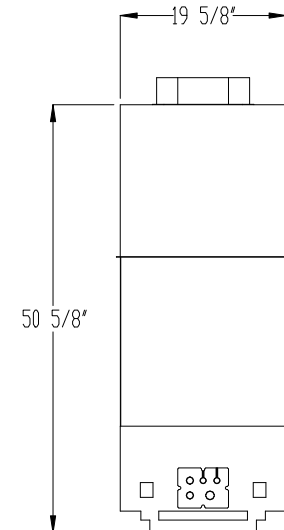
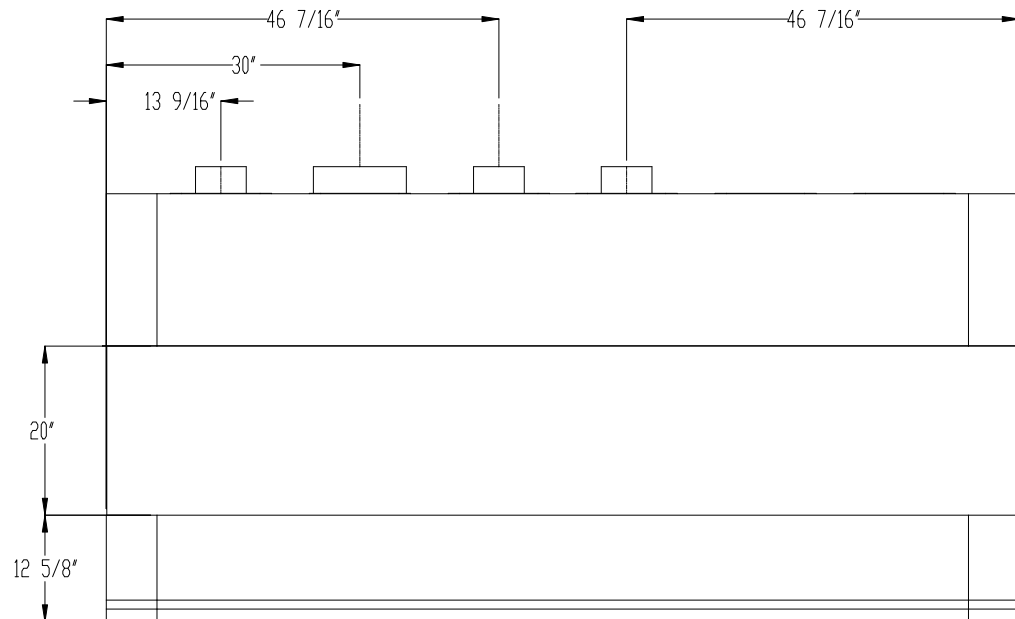
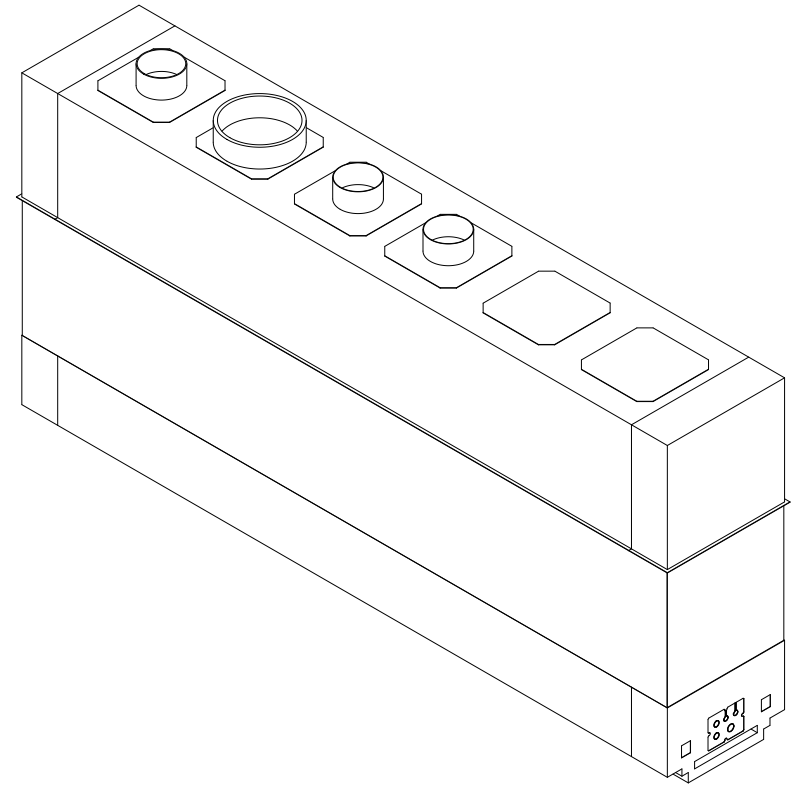
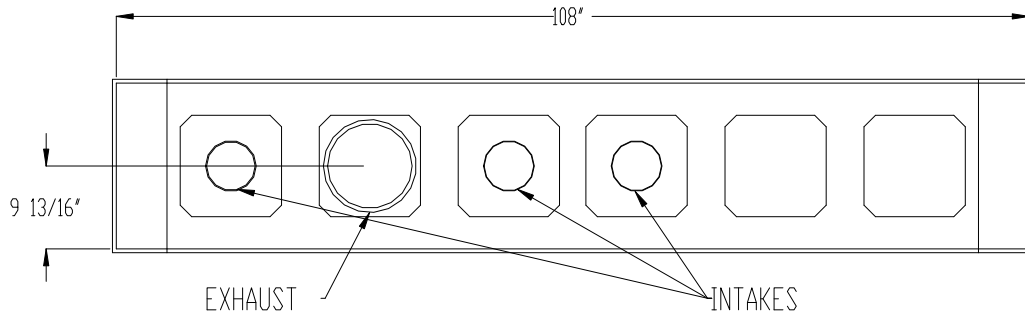
NG - Min = 5.5"wc (1.37kpa), Max = 7"wc (1.74 kpa)  
LP - Min = 11"wc (2.74 kpa), Max = 13"wc (3.23 kpa)



DaVinci Custom Fireplace™  
STYLE: ISLAND 108" x 20"

Electrical Req'd - 7A 120V      Gas Req'd - 116,000 BTU's

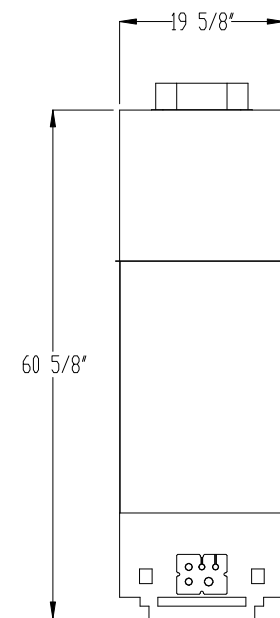
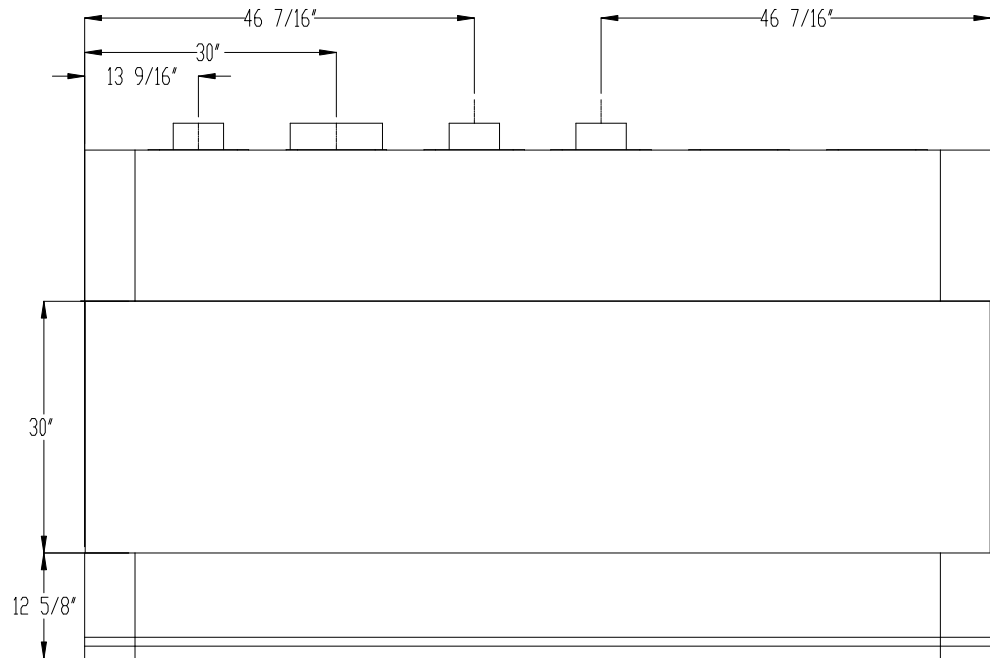
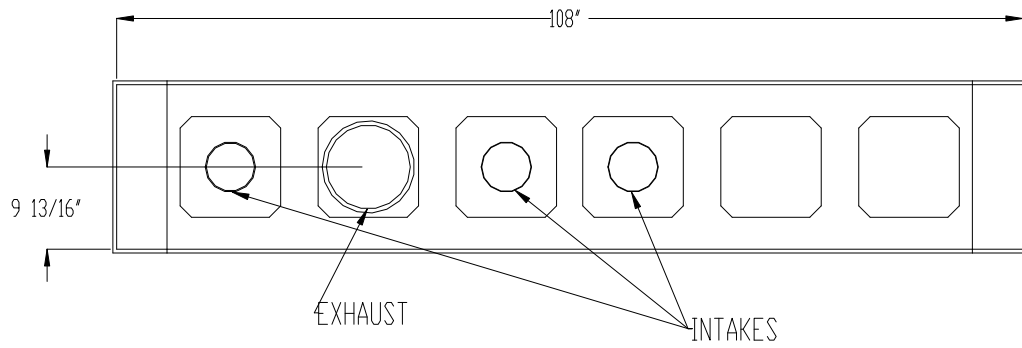
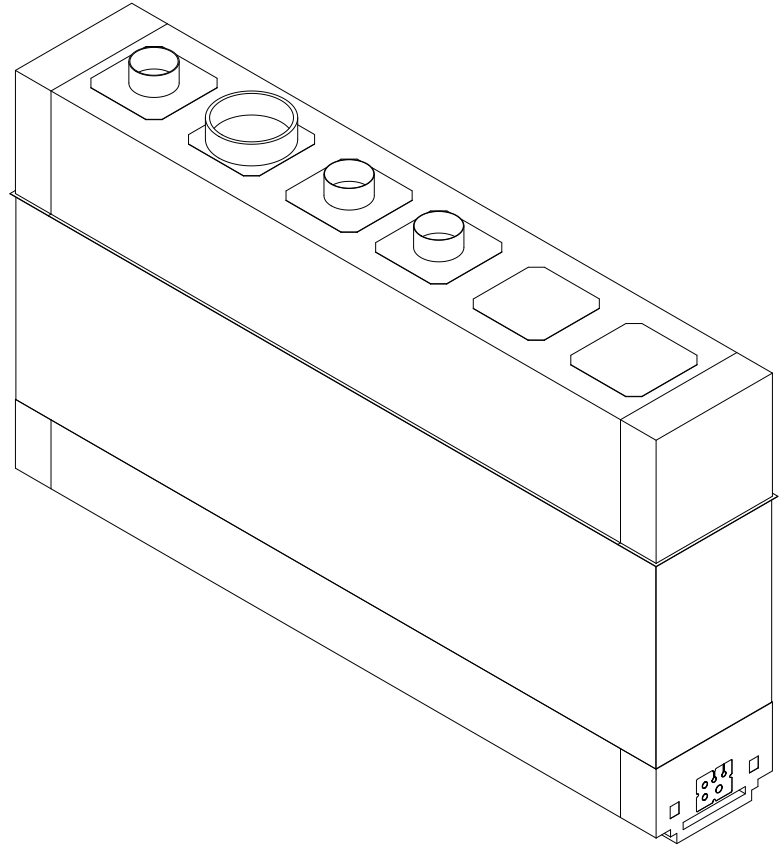
NG - Min = 5.5"wc (1.37kpa), Max = 7"wc (1.74 kpa)  
LP - Min = 11"wc (2.74 kpa), Max = 13"wc (3.23 kpa)



DaVinci Custom Fireplace™  
STYLE: ISLAND 108" x 30"

Electrical Req'd - 7A 120V      Gas Req'd - 116,000 BTU's

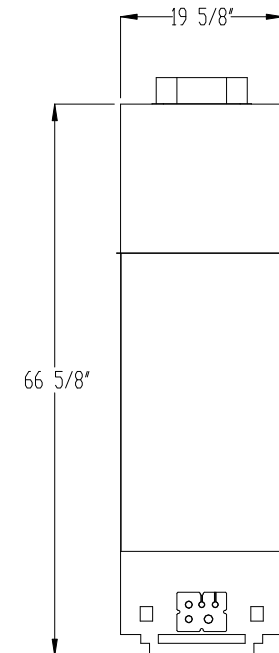
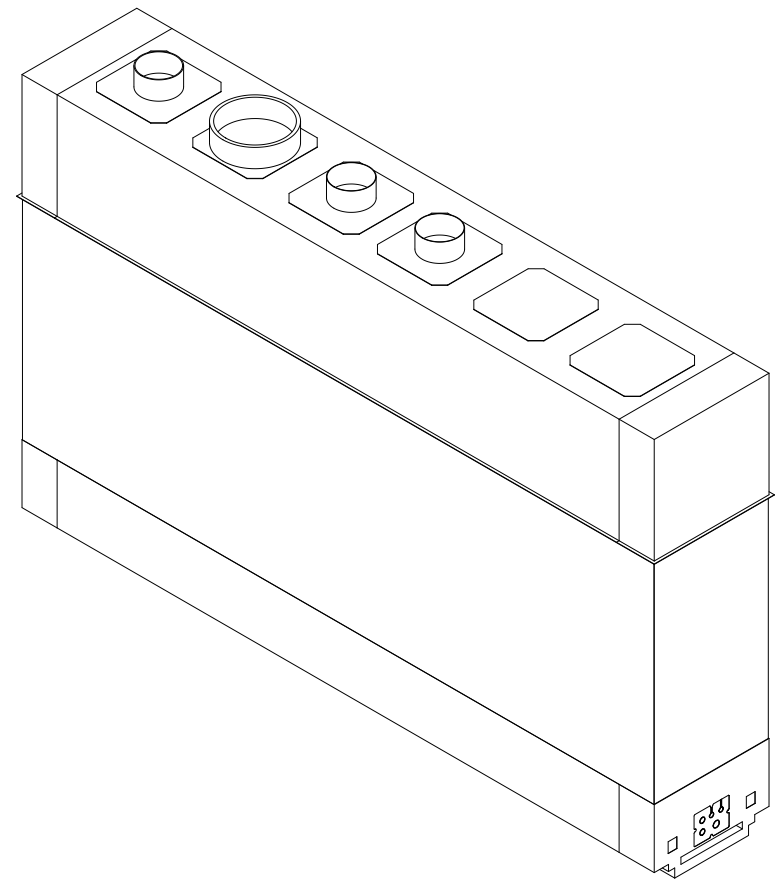
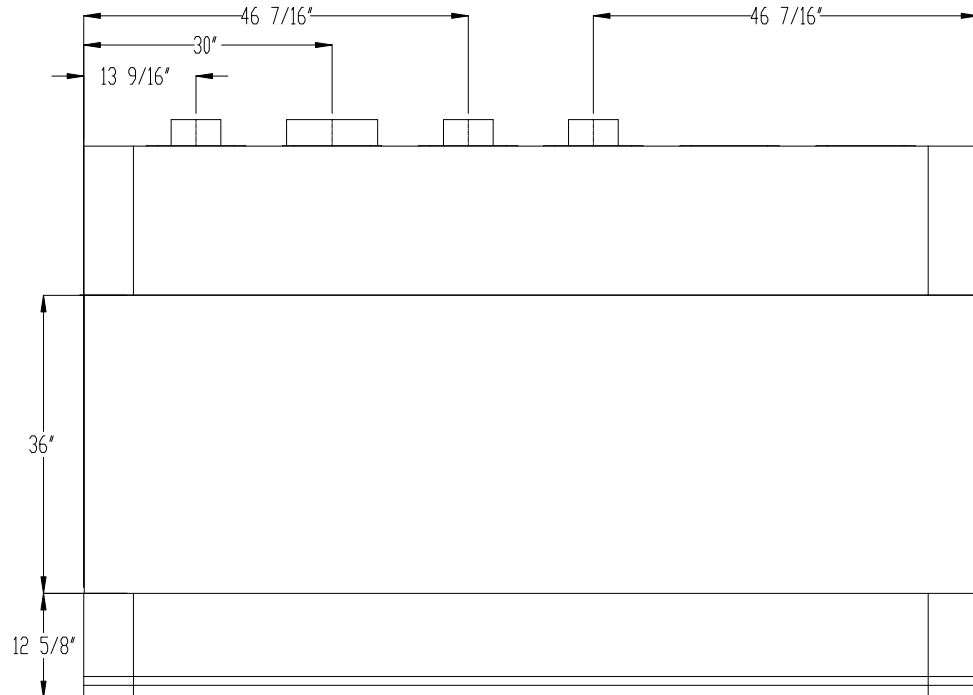
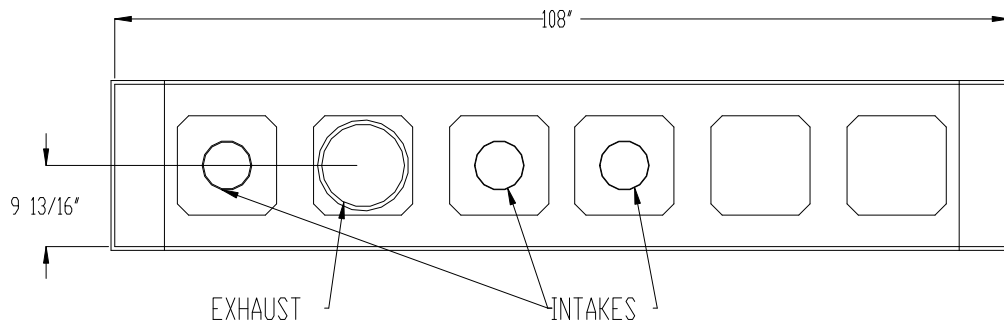
NG - Min = 5.5"wc (1.37kpa), Max = 7"wc (1.74 kpa)  
LP - Min = 11"wc (2.74 kpa), Max = 13"wc (3.23 kpa)



DaVinci Custom Fireplace™  
STYLE: ISLAND 108" x 36"

Electrical Req'd - 7A 120V      Gas Req'd - 116,000 BTU's

NG - Min = 5.5"wc (1.37kpa), Max = 7"wc (1.74 kpa)  
LP - Min = 11"wc (2.74 kpa), Max = 13"wc (3.23 kpa)

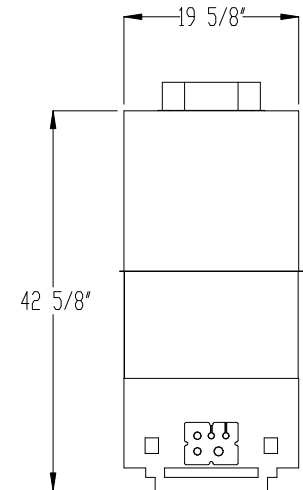
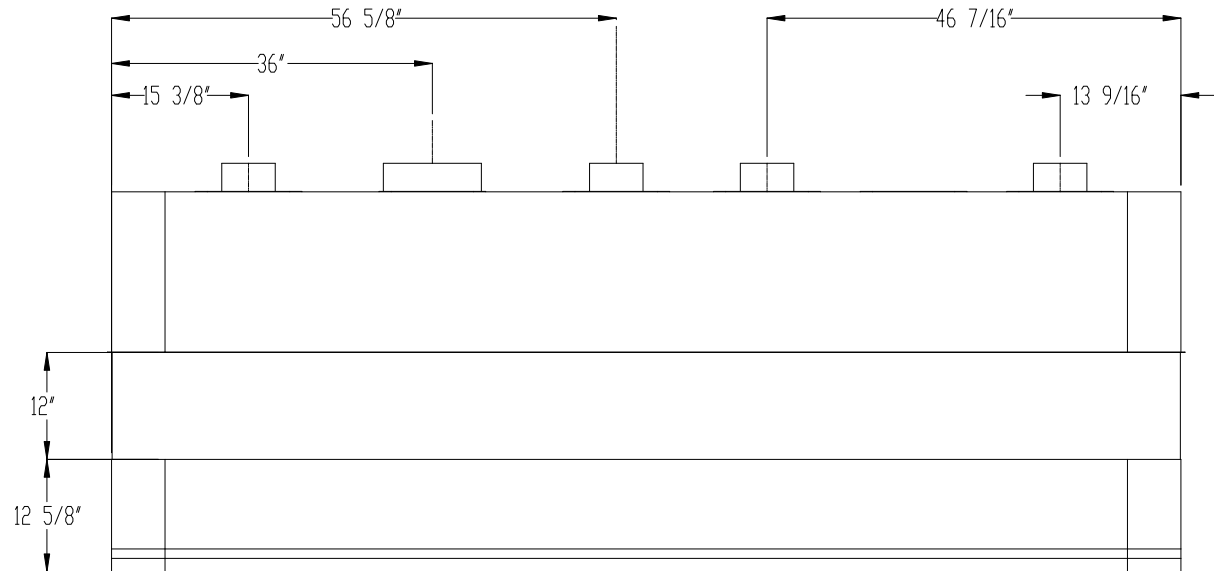
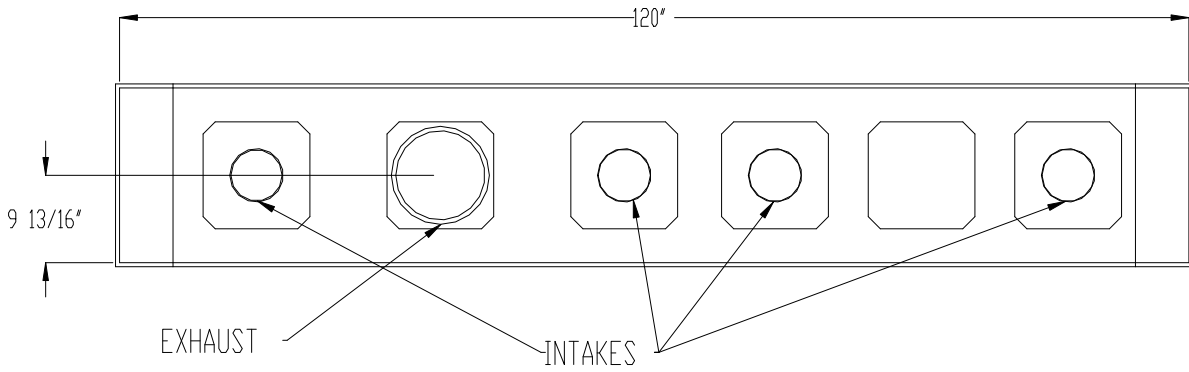
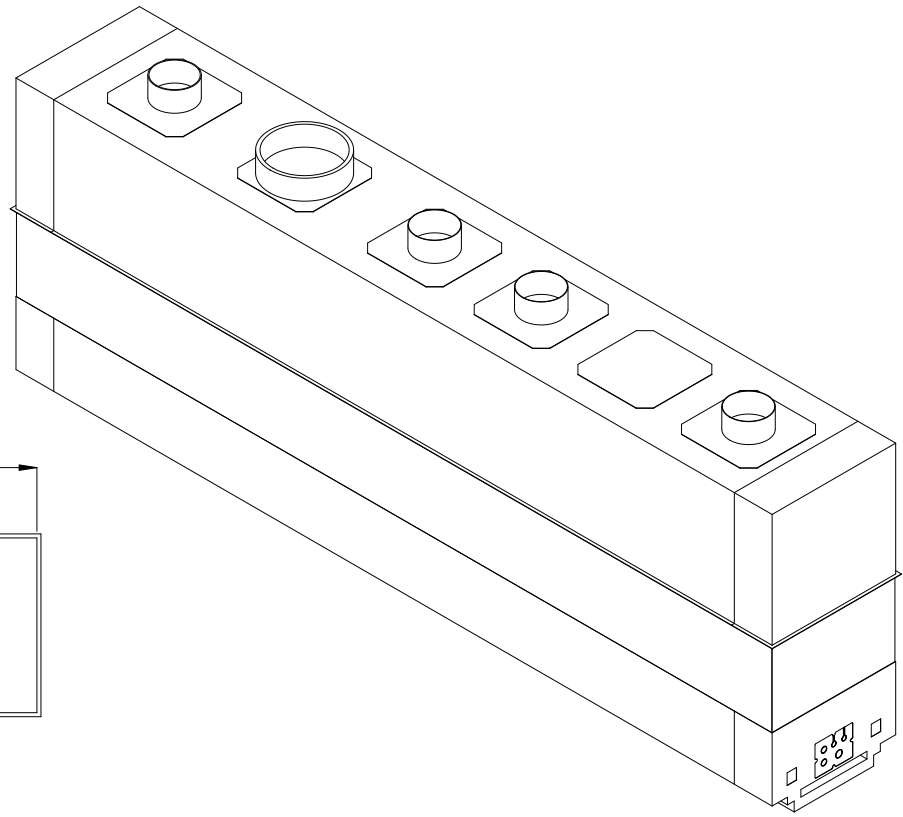




DaVinci Custom Fireplace™  
STYLE: ISLAND 120" x 12"

Electrical Req'd - 7A 120V      Gas Req'd - 130,500 BTU's

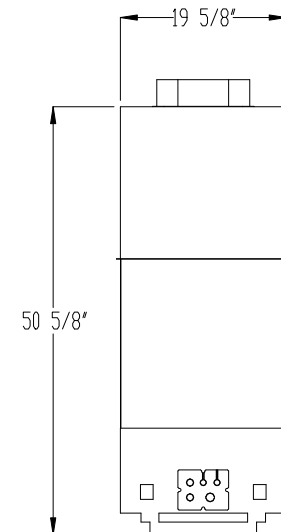
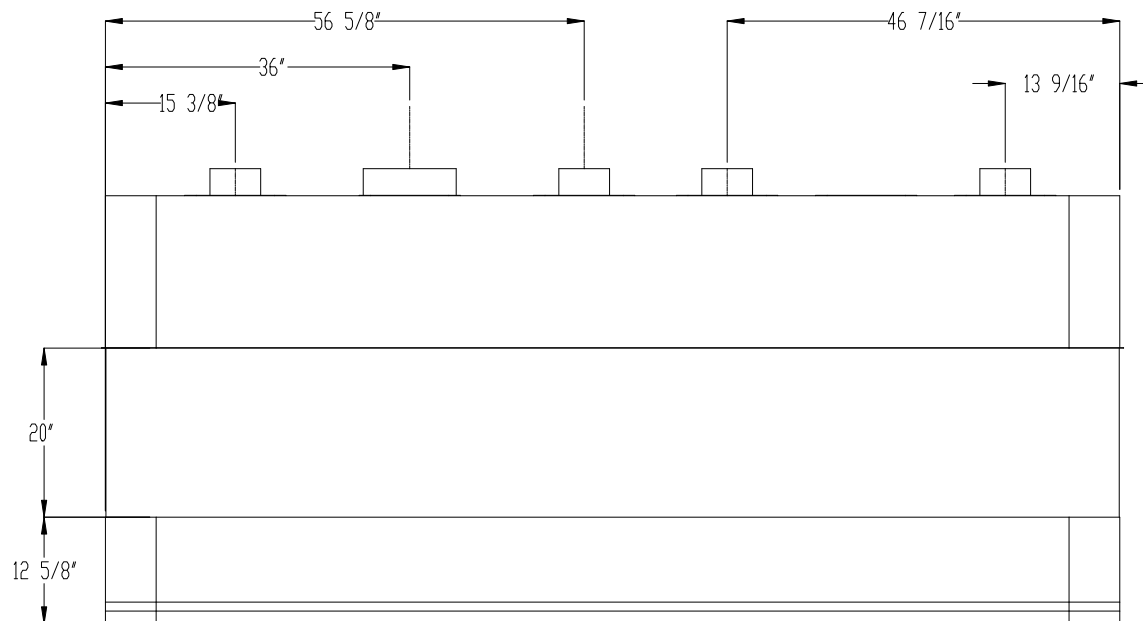
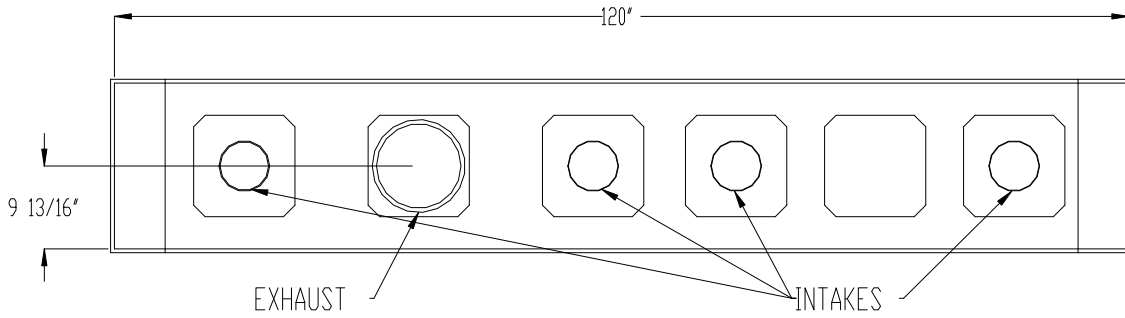
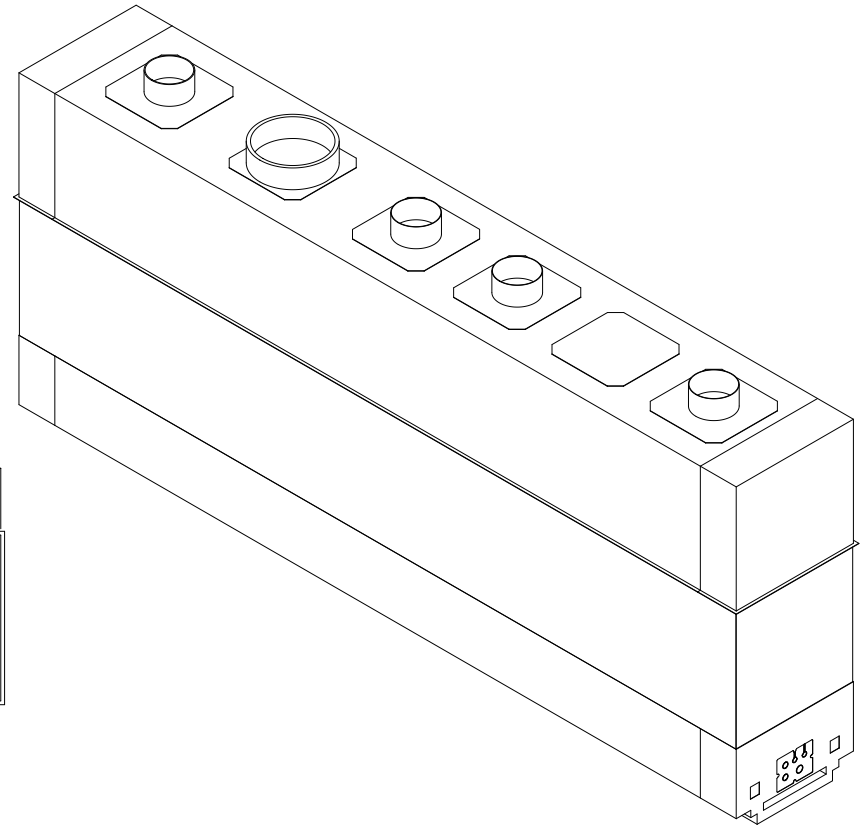
NG - Min = 5.5"wc (1.37kpa), Max = 7"wc (1.74 kpa)  
LP - Min = 11"wc (2.74 kpa), Max = 13"wc (3.23 kpa)



DaVinci Custom Fireplace™  
STYLE: ISLAND 120" x 20"

Electrical Req'd - 7A 120V      Gas Req'd - 130,500 BTU's

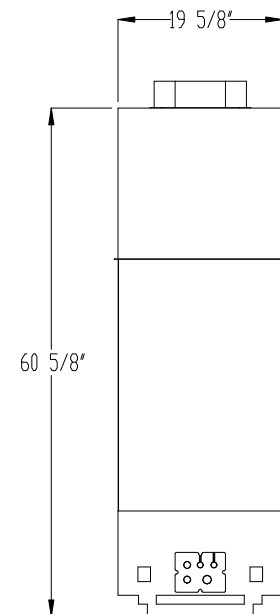
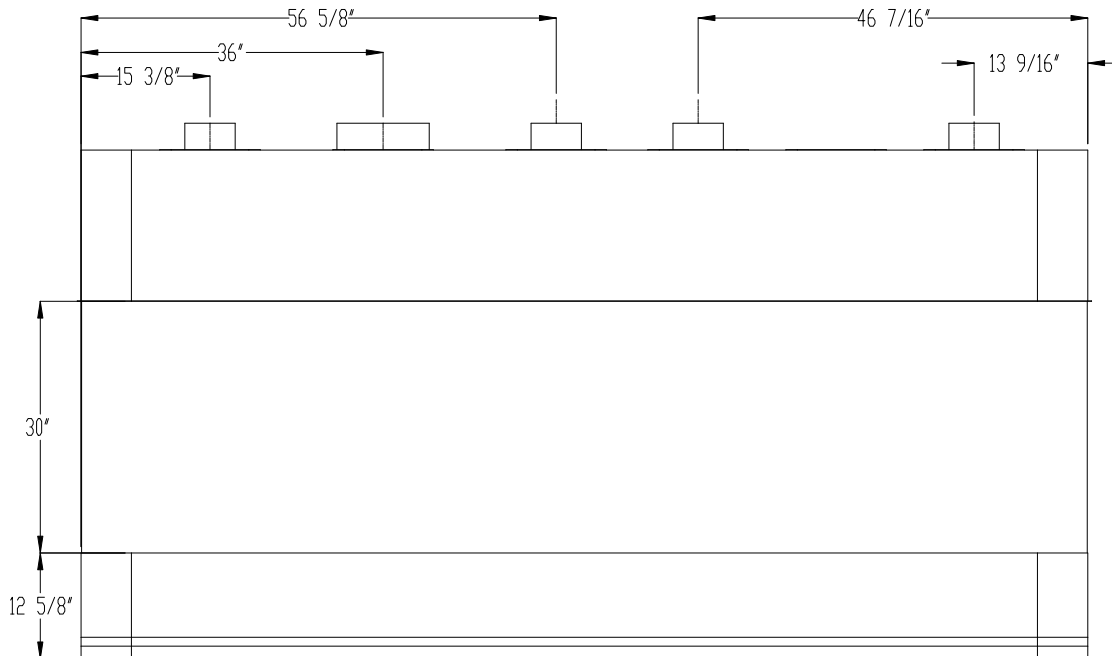
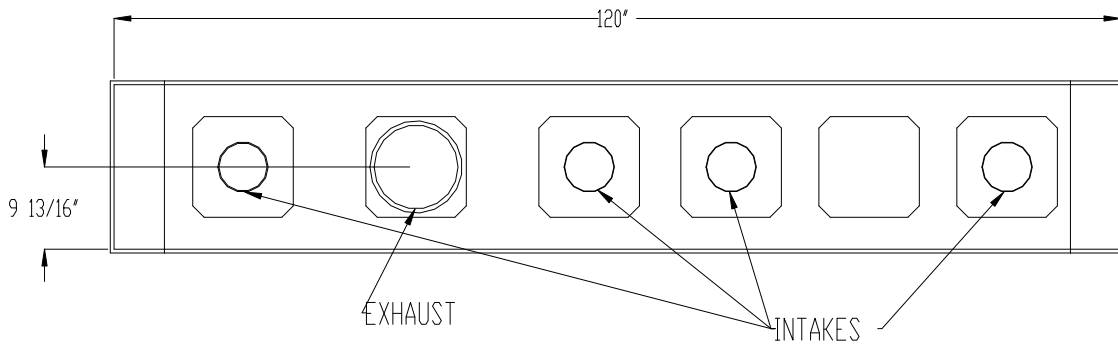
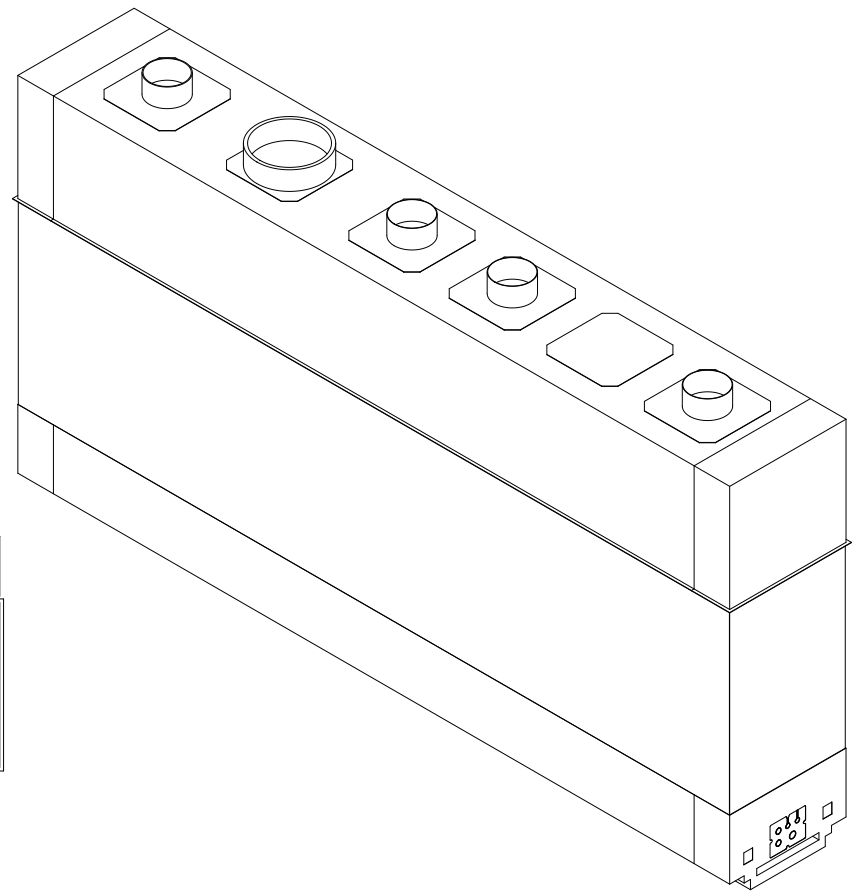
NG - Min = 5.5"wc (1.37kpa), Max = 7"wc (1.74 kpa)  
LP - Min = 11"wc (2.74 kpa), Max = 13"wc (3.23 kpa)



DaVinci Custom Fireplace™  
STYLE: ISLAND 120" x 30"

Electrical Req'd - 7A 120V      Gas Req'd - 130,500 BTU's

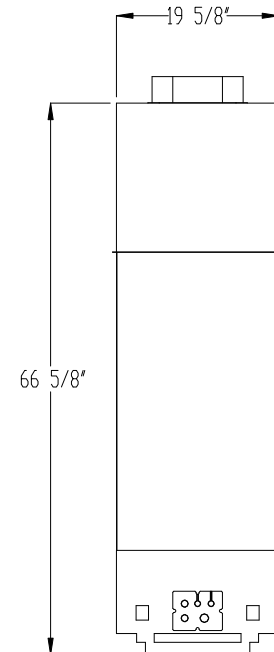
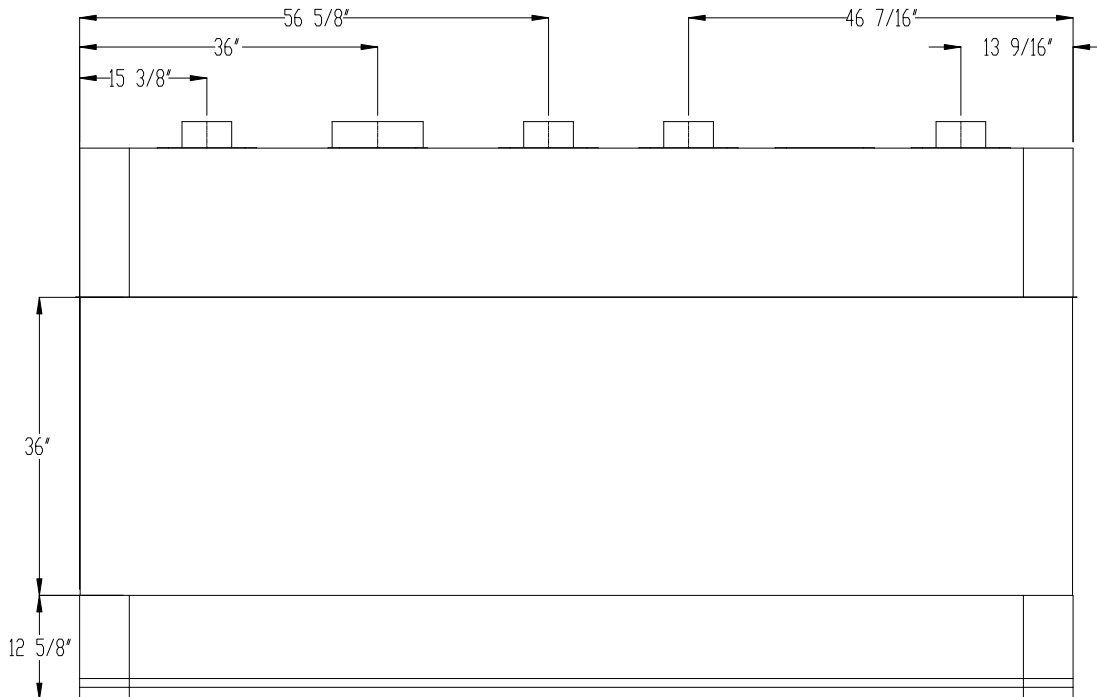
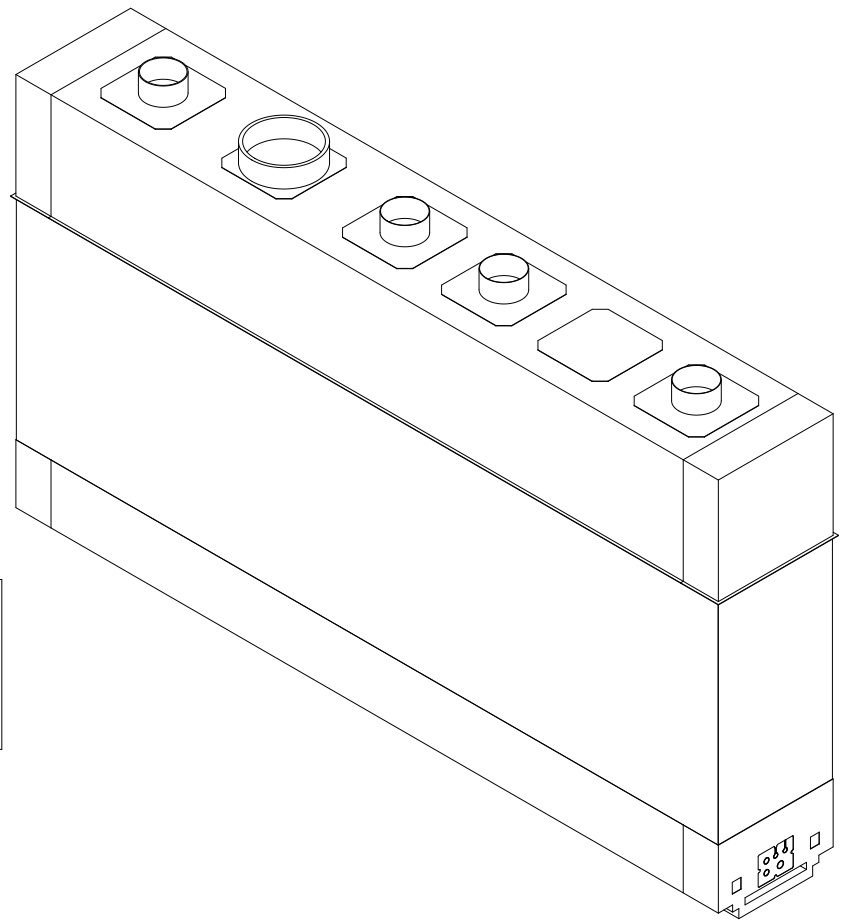
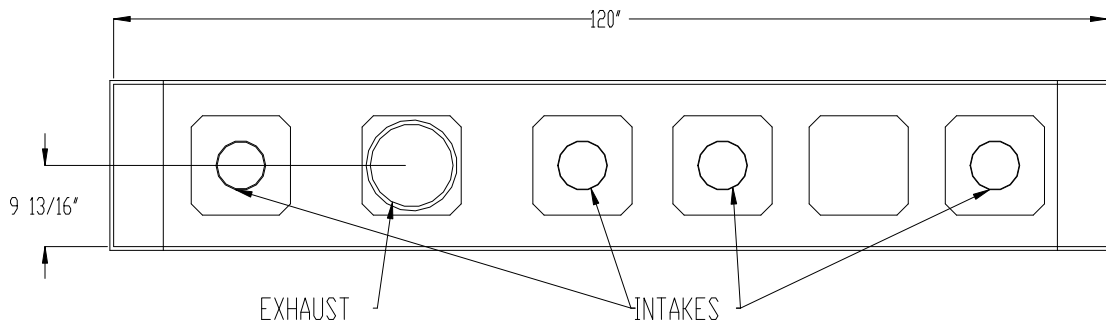
NG - Min = 5.5"wc (1.37kpa), Max = 7"wc (1.74 kpa)  
LP - Min = 11"wc (2.74 kpa), Max = 13"wc (3.23 kpa)



DaVinci Custom Fireplace™  
STYLE: ISLAND 120" x 36"

Electrical Req'd - 7A 120V      Gas Req'd - 130,500 BTU's

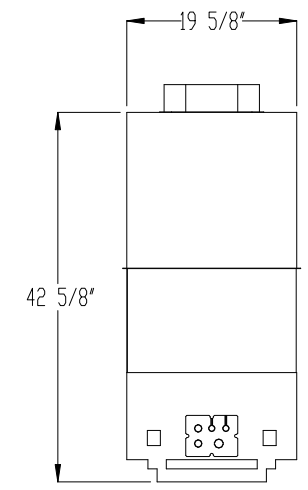
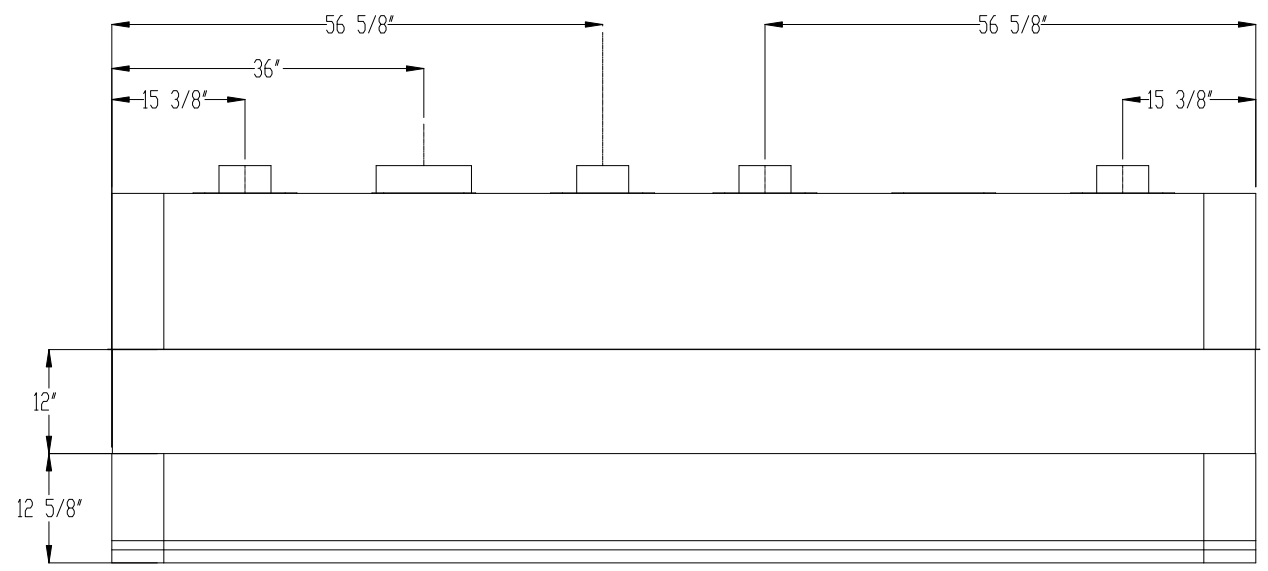
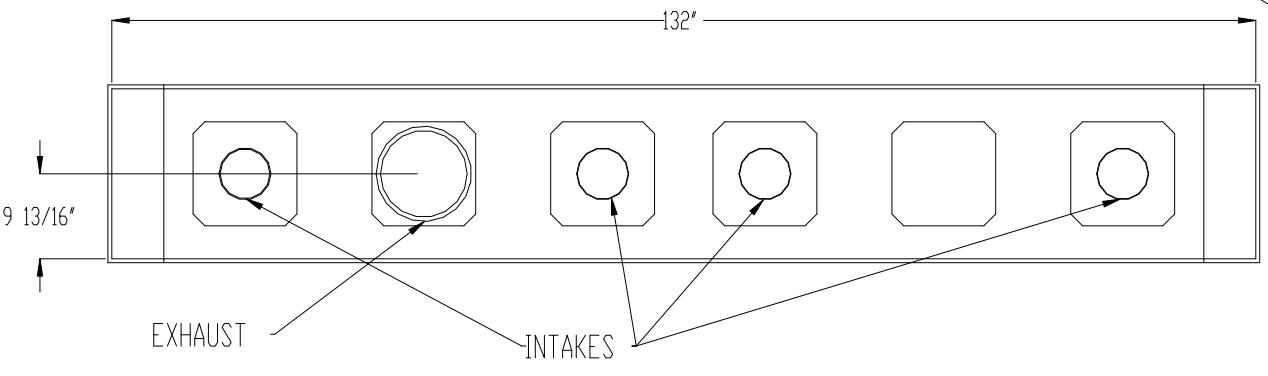
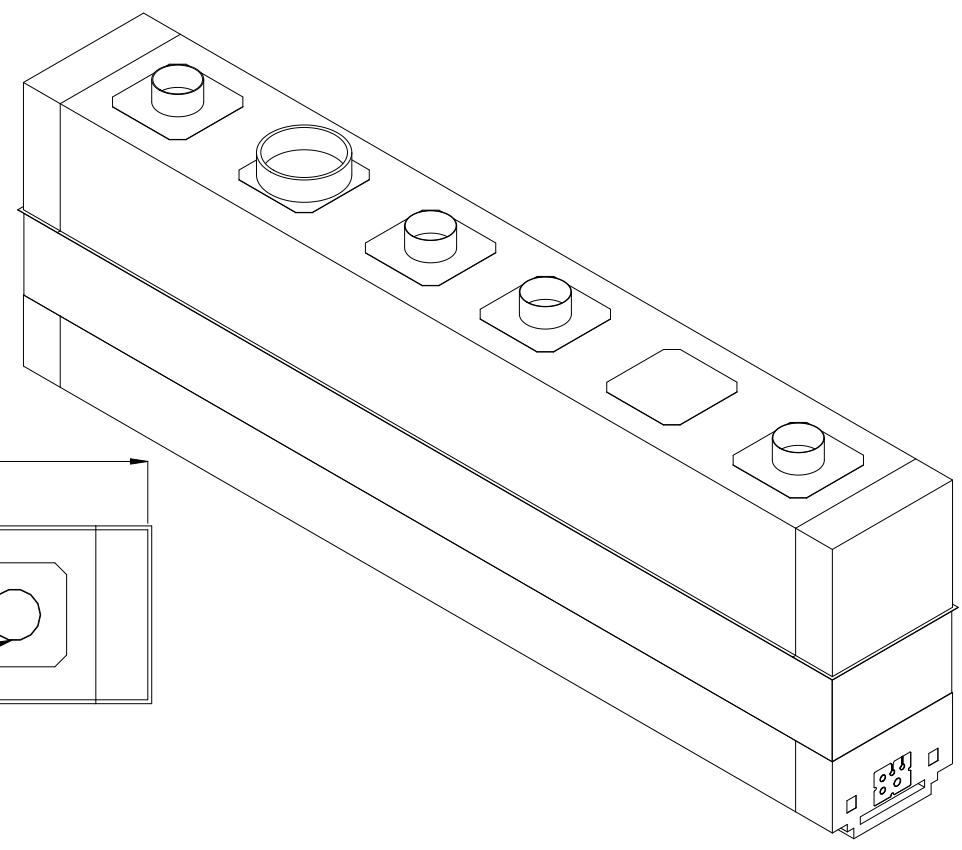
NG - Min = 5.5"wc (1.37kpa), Max = 7"wc (1.74 kpa)  
LP - Min = 11"wc (2.74 kpa), Max = 13"wc (3.23 kpa)



DaVinci Custom Fireplace™  
STYLE: ISLAND 132" x 12"

Electrical Req'd - 7A 120V      Gas Req'd - 145,000 BTU's

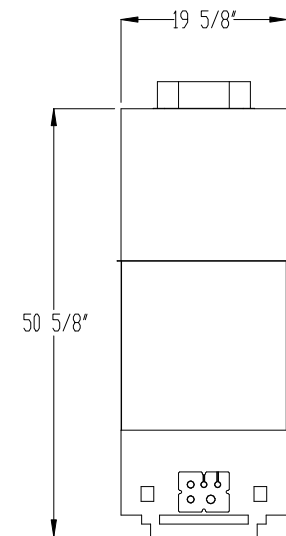
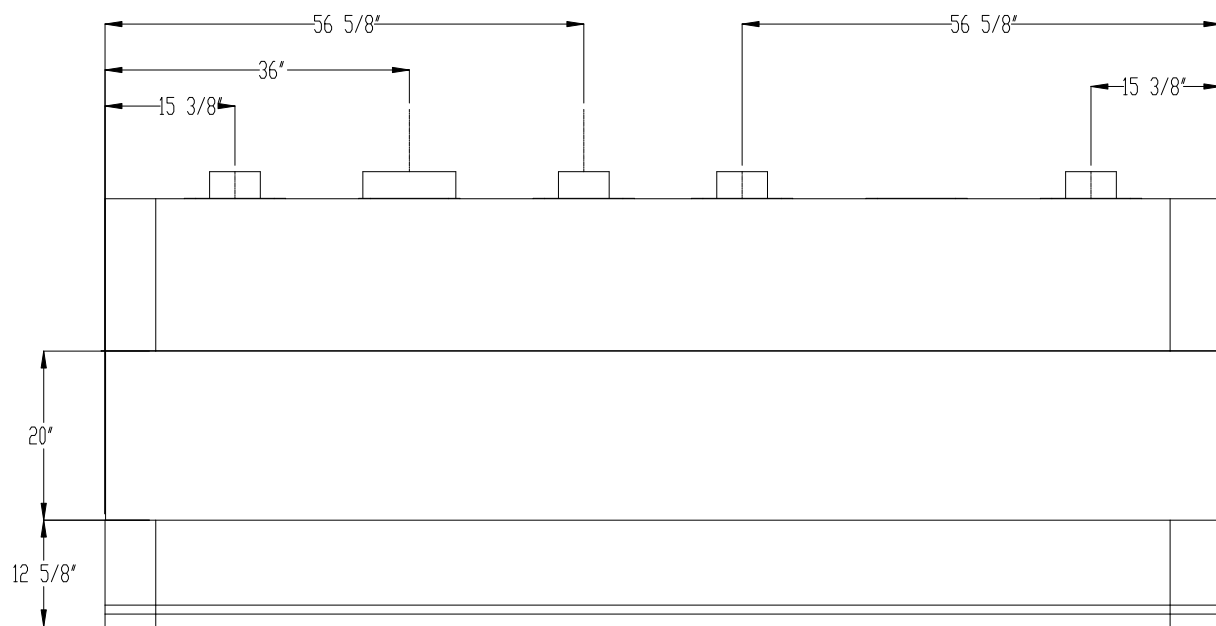
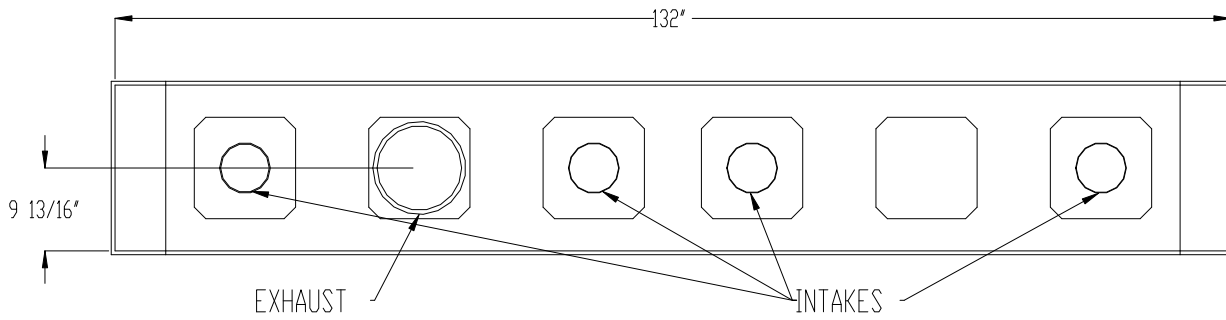
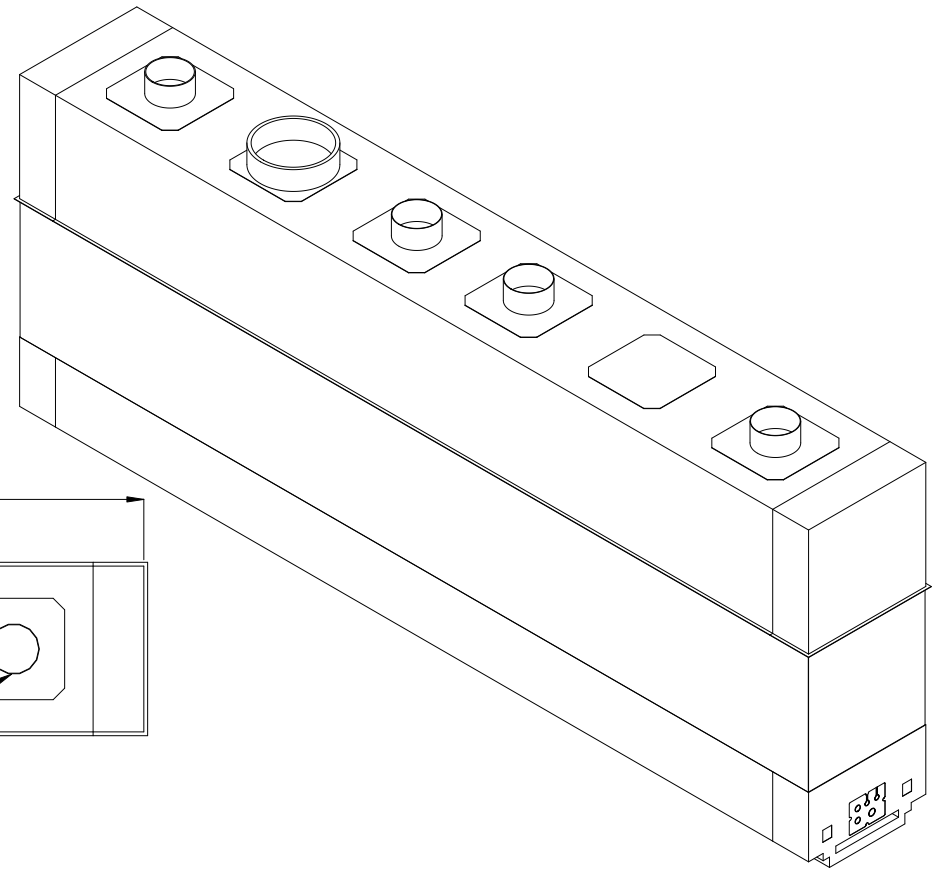
NG - Min = 5.5"wc (1.37kpa), Max = 7"wc (1.74 kpa)  
LP - Min = 11"wc (2.74 kpa), Max = 13"wc (3.23 kpa)



DaVinci Custom Fireplace™  
STYLE: ISLAND 132" x 20"

Electrical Req'd - 7A 120V      Gas Req'd - 145,000 BTU's

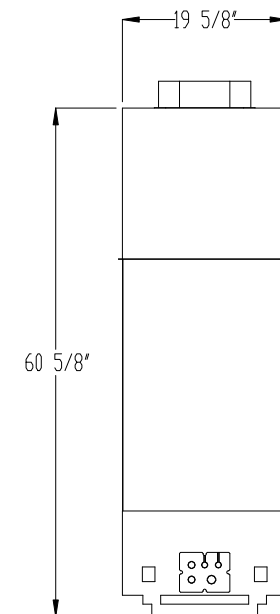
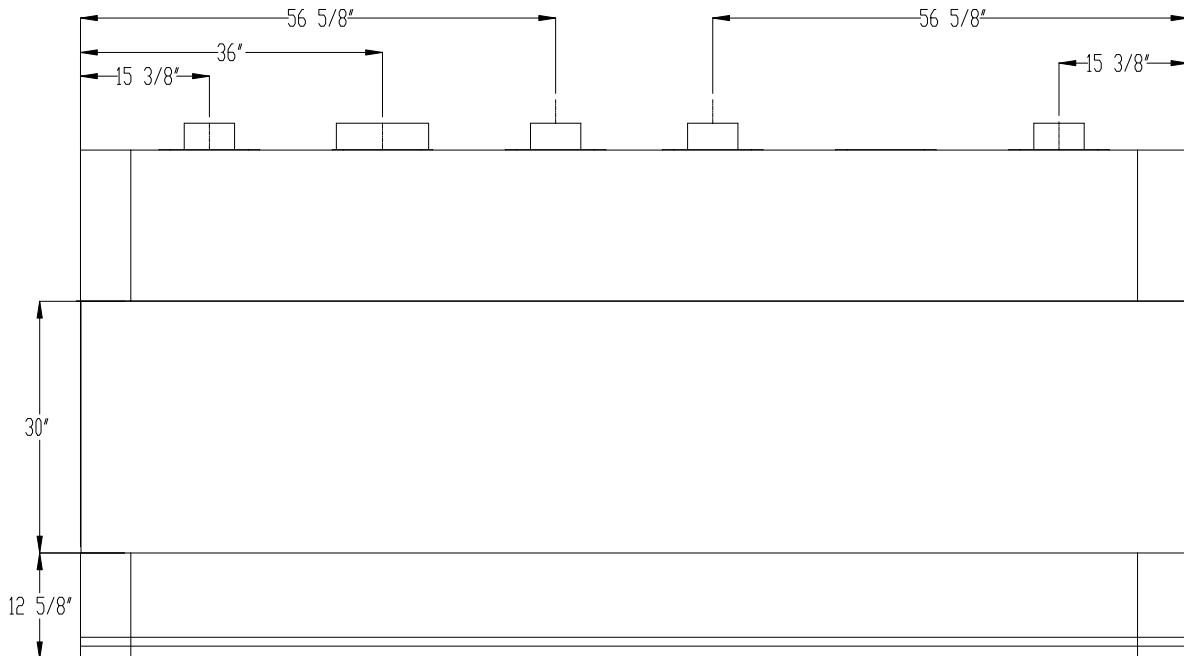
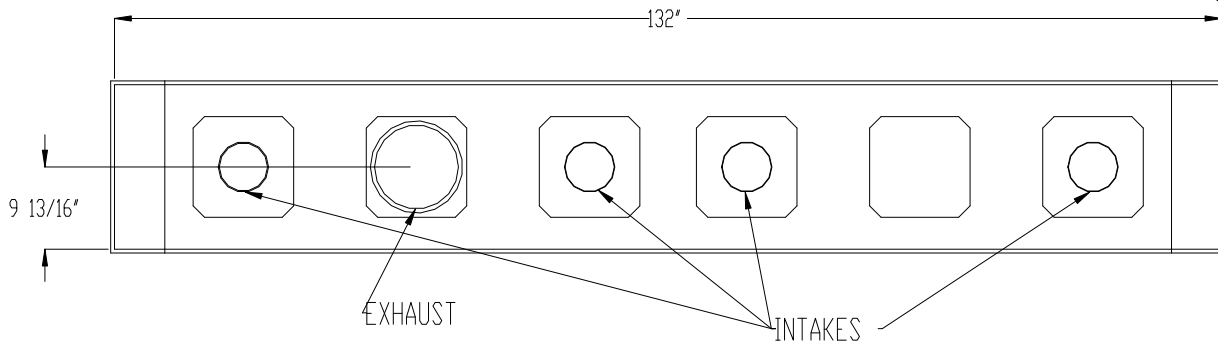
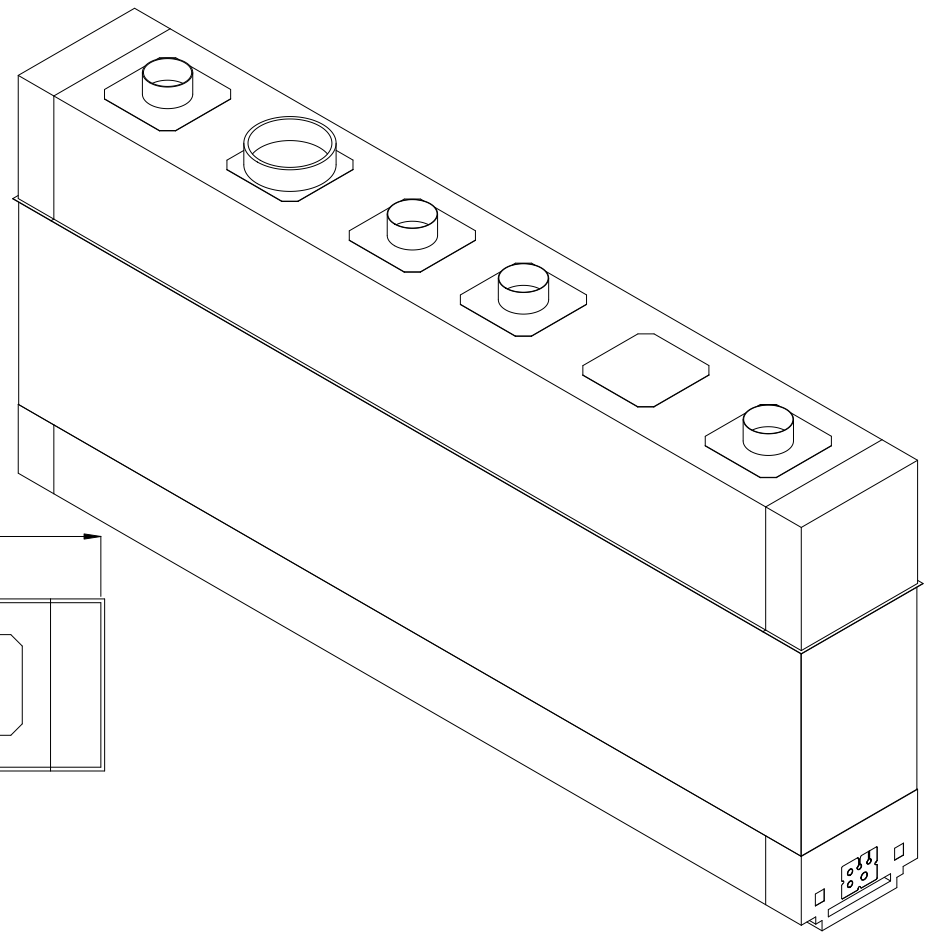
NG - Min = 5.5"wc (1.37kpa), Max = 7"wc (1.74 kpa)  
LP - Min = 11"wc (2.74 kpa), Max = 13"wc (3.23 kpa)



DaVinci Custom Fireplace™  
STYLE: ISLAND 132" x 30"

Electrical Req'd - 7A 120V      Gas Req'd - 145,000 BTU's

NG - Min = 5.5"wc (1.37kpa), Max = 7"wc (1.74 kpa)  
LP - Min = 11"wc (2.74 kpa), Max = 13"wc (3.23 kpa)



DaVinci Custom Fireplace™  
STYLE: ISLAND 132" x 36"

Electrical Req'd - 7A 120V      Gas Req'd - 145,000 BTU's

NG - Min = 5.5"wc (1.37kpa), Max = 7"wc (1.74 kpa)  
LP - Min = 11"wc (2.74 kpa), Max = 13"wc (3.23 kpa)

