



VANOX Fireplaces Inc.

NOVA VL36BN Zero clearance BV Gas Fireplace

Installation Operation & Maintenance Instructions



DANGER

Read and understand this manual. Improper installation, adjustment, alteration, service or maintenance can cause serious injury, property damage or even death. For assistance or additional information consult a qualified installer, service agency or the gas supplier.

NOTICE

Installer: Leave this manual with the appliance. Do not remove.
Consumer: Retain this manual for maintenance and future reference. Do not Discard.

CAUTION

Glass doors on gas fireplaces are extremely hot while the fireplace is on and remain hot even after the fireplace has been turned off. Safety screens are available and can reduce the risks of severe burns. Please keep children away from the fireplace at all times.

DANGER

IF YOU SMELL GAS

- ▲ Do not try to light any appliance.
- ▲ Do not touch any electrical switch; do not use any phone in your building.
- ▲ Immediately call your gas supplier from a neighbor's phone. Follow the gas supplier's instructions.
- ▲ If you cannot reach your gas supplier, call the fire department.

WARNING

Do not store or use gasoline or any other flammable vapors and liquids in the vicinity of this or any other gas burning appliance. A fire or explosion may occur causing serious injury, property damage or even death.

WARNING



Hot glass will cause burns. Do not touch glass until unit is cooled. Never allow children to touch glass.

www.vanoxfireplace.com



Warning:

NOTICE

You must read and understand this manual prior to installation, operation or troubleshooting this appliance. Please retain this owner's manual for future reference and maintenance.

Table of Contents

Safety Alert Key
Introduction2

Installation
Before you Start3
Installation Checklist.....4

Section 1:
Installation Overview and Product Dimensions....4

Section 2:
Framing the Fireplace.....4
Installing the fireplace shell.....5
Clearances5

Section 3:
B-Vent Installation.....6 - 7

Section 4:
Finishing8
Facing.....8
Mantels and surrounds.....8

Section 5:
Wiring9 - 11

Section 6:
Installing and Removing the Door.....12

Section 7:
Installing the Gasline.....13

Section 8:
Operation, Lighting Instructions
SIT millivolt Valve14
SIT IPI Valve.....15
Rober Shaw millivolt Valve.....16

Section 9:
Installing the Optional Fan Kit.....17 - 18
Installing the Glass Media.....18

Operation:19
Maintenance:20
Warranty:21
Notes22 - 23

Safety Alert Key

 **DANGER**

Indicates a hazardous situation which, if not avoided, WILL result in death or serious injury or property damage.

 **CAUTION**

Indicates a hazardous situation which, if not avoided, WILL result in minor or moderate injury.

 **WARNING**

Indicates a hazardous situation which, if not avoided, COULD result in death or serious injury or property damage.

NOTICE

Addresses practices that are important, but not related to personal injury

Introduction

Thank You for choosing a VANOX VL36 Fireplace

About the VL36BN Fireplace

The VL36-BN includes a 18,000 BTU Linear burner. The VL36-BN is certified in British Columbia as a Vented Gas Fireplace (ANSI Z21.50 -2009 / CSA 2.22 -2009) and is available in two versions.

- VL36BN - Millivolt Ignition)
- VL36BN-E - IPI Ignition)

The VL36-BN is rated for Natural Gas at 18,000 BTU/H (7.33 Kilowatts) Input.

How to use this manual:

This manual covers all models and unless otherwise specified, the designation VL36-BN refers to all models. Sections which are specific to a particular model are marked with a symbol, plus the appropriate model number.

Warranty and Installation Information:

The Vanox warranty will be voided by, and Vanox disclaims any responsibility for, the following actions:

- Modification of the fireplace and/or components including glass doors.
- Use of any component part not manufactured or approved by Vanox in combination with this Vanox fireplace system.
- Installation other than as instructed in this manual.

Consult your local Gas Inspection Branch on installation requirements for factory-built gas fireplaces. Installation & repairs should be done by a qualified contractor.

Installations in Canada must conform to the current CAN/CGA B149.1 and .2 Gas Installation Code and local regulations.

Installation

Before you Start

IMPORTANT MESSAGE: SAVE THESE INSTRUCTIONS

The VL36BN B- Vent fireplace must be installed in accordance with these Instructions. Carefully read all the Instructions in this manual first. Consult the Local Gas Branch to determine the need for a permit prior to starting the installation. It is the responsibility of the installer to ensure this fireplace is installed in compliance with the manufacturers instructions and all applicable codes.

NOTICE

Installation and repairs should be done by an authorized gas fireplace service technician. The appliance should be inspected before use and at least annually by a professional. More frequent cleaning may be required due to excessive lint from carpeting, bedding material, etc. It is imperative that control compartments, burners and circulating air passageways of the fireplace are kept clean.



CAUTION

Due to high operating temperatures, this appliance should be located out of traffic & away from furniture and draperies.

Children and adults should be alerted to the hazards of the high surface temperature, which could cause burns or clothing ignition.

Young children should be carefully supervised when they are in the same room as the appliance.

Clothing or other flammable materials should not be placed on or near the appliance.



DANGER

When this appliance is installed directly on any combustible material other than wood flooring, it must be installed on a metal or wood panel extending the full width and depth of the appliance or a fire will occur causing serious injury, property damage or even death.



CAUTION

Young children should be carefully supervised when they are in the same room as the appliance. Toddlers, young children and others may be susceptible to accidental contact burns. A physical barrier is recommended if there are at risk individuals in the house. To restrict access to a fireplace or stove, install an adjustable safety gate to keep toddlers, young children and other at risk individuals out of the room and away from hot surfaces.



Installation Checklist

- 1). Determine the desired install location of your fireplace. See Section 1, Dimensions on Page 5, and refer to the Framing, Section 2 for details.
- 2). Select the location of your termination and resulting vent run. Your selected termination location must be the highest point in the B-Vent installation.
- 3). Should it be impossible to meet the venting requirements laid out in Section 3: Venting, please contact Vanox.
- 4). Lay out the Vent run and Electrical Requirements Refer to Section 4: Wiring, for Details.
- 5). Refer to Section 5: Installing the Gas Line, for details on the gas connection and access. Refer to local codes and guidelines for installation requirements.

NOTE: Installation and repairs should be done by a qualified contractor and must conform to, below:

- Installations in Canada must conform to the local codes or in the absence of local codes to the current version of Natural Gas and Propane Installation Code, CSA B149. Electrical Installations must conform to the local codes or, in the absence of local codes, to the current version of Canadian Electrical Code, CSA C22.1.1

Section 1: Installation Overview

Installing Overview and Product Dimensions

Please review the Installation Checklist on Page 4 for general information on preparing for a successful installation of your fireplace. The VL36BN fireplace may be installed in any location that maintains proper clearances to air conditioning ducts, electrical wiring and plumbing.

Safety, as well as efficiency of operation, should be considered when selecting the fireplace location. Select a location that does not interfere with room traffic, has adequate ventilation and offers an accessible path for B-Vent installation.

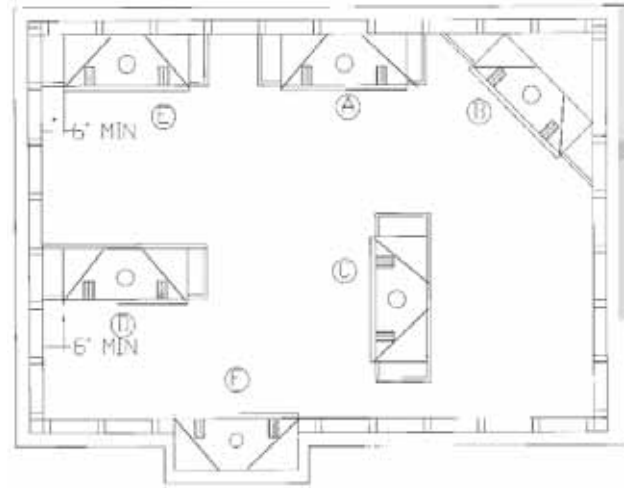


Figure 1. Fireplace Locations.

When you install your fireplace as in position 'B', 'D' or 'E', a minimum of 6 inches (153mm) clearance must be maintained from the perpendicular wall and the front of the appliance.

- A - Flat on a wall
- B - Across the corner
- C - As an island
- D - As a room divider
- E - Flat on wall corner
- F - Exterior wall

Section 2: Framing the Fireplace

Framing Dimensions

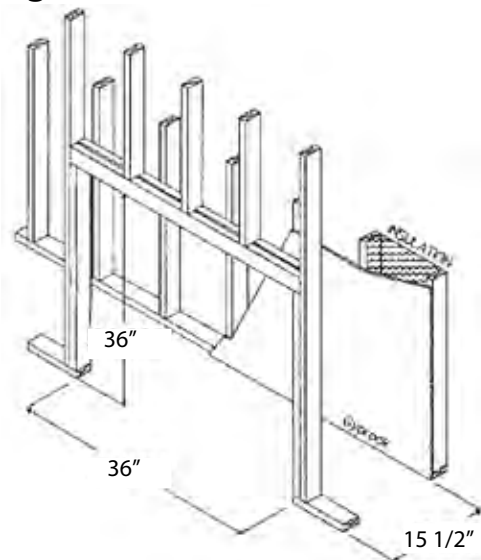


Figure 2. Framing dimensions.

Installing The Fireplace Shell

The fireplace may be installed in any location that maintains proper clearances to air conditioning ducts, electrical wiring and plumbing. Safety, as well as efficiency of operation, must be considered when selecting the fireplace location. Try to select a location that does not interfere with room traffic, has adequate ventilation Refer to page 4 - B-Vent Installation for more information.

The fireplace dimensions are shown below:

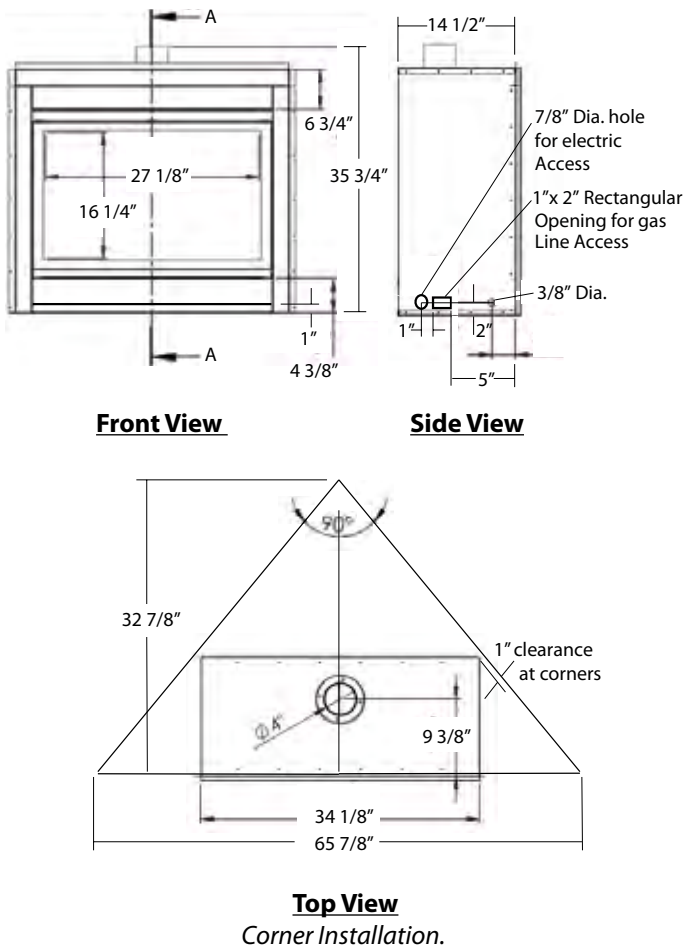


Figure 3. Fireplace dimensions.

Clearances

These clearances apply to all dimensions except the framed opening, where the clearance to combustibles are listed on Page 4, Figure No. 2.

The VL36-BN clearances to combustible materials are:

Top	64"
Back	1"
Side	1"
Floor	0"
Mantel*	9"
Perpendicular Wall	6"
B-Vent	1" **

** Clearances specified by the B-vent manufacturer.

For protection against freezing temperatures, it is recommended that outer walls of the chase be insulated with a vapour barrier. This will reduce the possibility of a cold-air convection current on the fireplace.

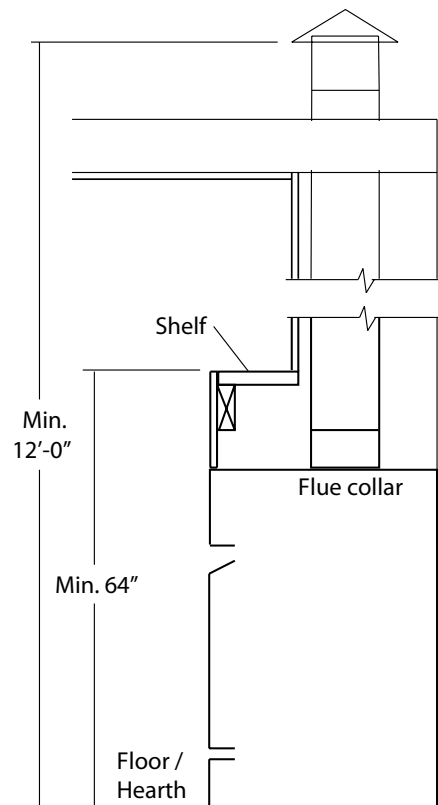


Figure 4. Combustible Shelf location.



Section 3: B-Vent Installation

The VL36BN is certified for use with standard 4" and 5" inch B-Vent, and requires no B-Vent appliance connector. Simply attach the B-Vent to the fireplace flue collar, and secure it using 1/4" sheet metal screws. Refer to the current **CAN/CGA B-149.1**, gas Installation Code for specific vent sizing.

Notes:

The fireplace requires a MIN. 12'-0" feet vertical rise in order operate correctly.

If more than 12'-0" feet of B-Vent is used on vent runs, use ceiling supports.

For increasing to the 5" B-Vent, use the BV increasing adapter on top of the 4" Fireplace flue collar.

4" B-Vent installation

See the detailed drawings below and determine which installation best suits your application. Follow all the prescribed details installations as shown. Failing to do so can create an unsafe condition, which to lead to a fire, safety hazard, injury c

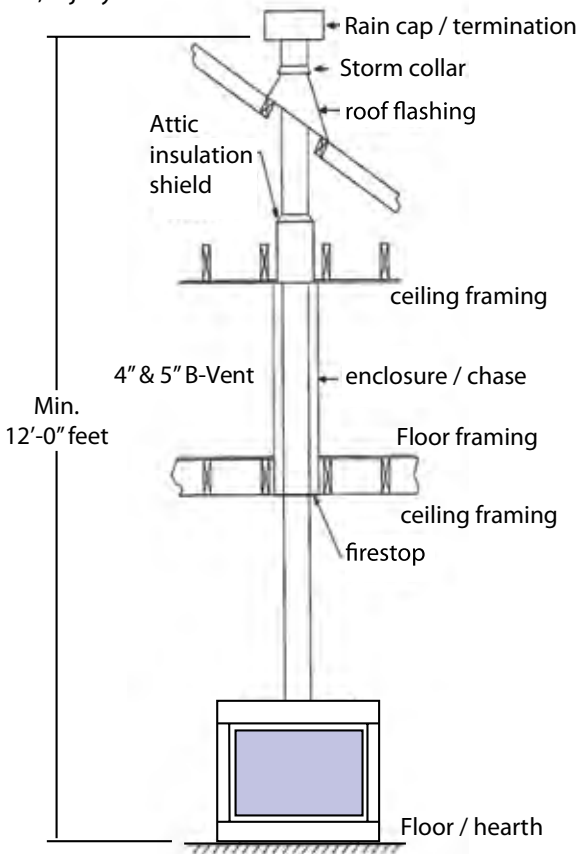


Figure 5. Straight through ceiling and roof installation, for 4" inch B-Vent installation.

CAUTION

Test your B-Vent installation after completion to ensure that no combustible by-products are spilling from the fireplace opening. This draft test should be performed after a three(5) minute warm up period. The manufacturer will not be responsible for any installations with inadequate draw.

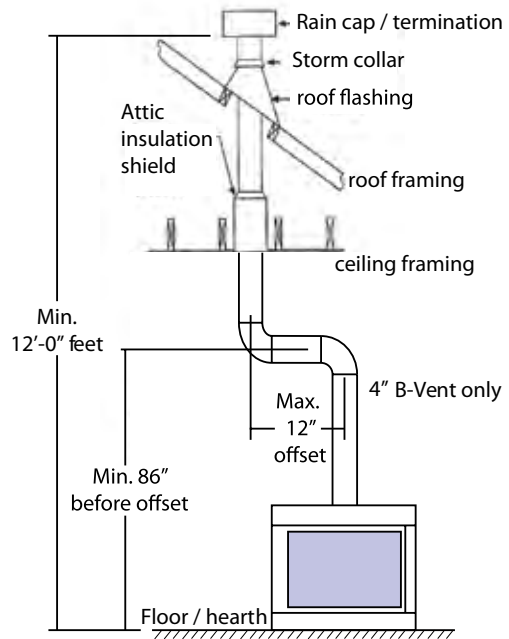


Figure 6. Max. 12" offset for 4" inch B-Vent ONLY.

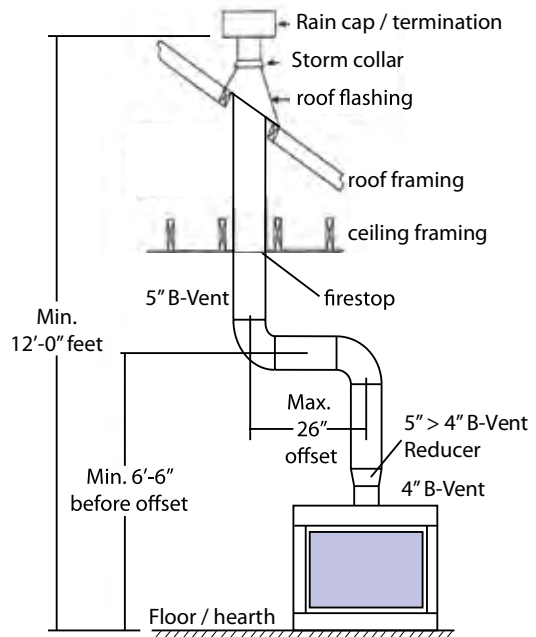
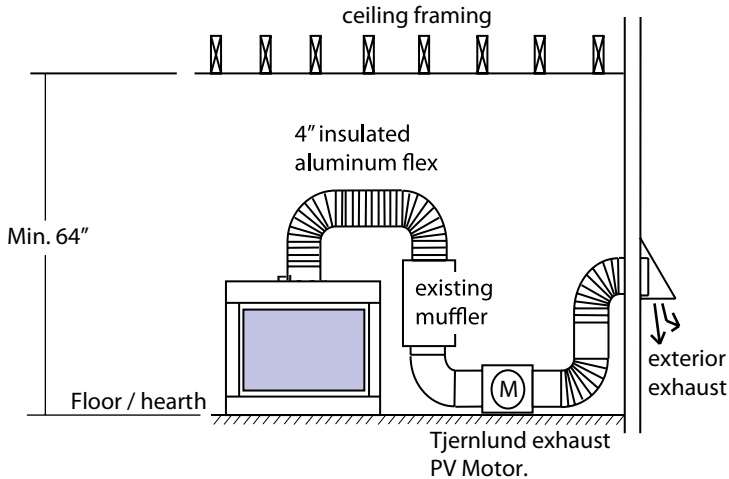


Figure 7. Max. 26" offset, (multi-bends) for 5" inch B-Vent installation.

Installation of VL36BN fireplace with Tjernlund Power Vent and insulated aluminum flex.

Minimum enclosure requirements: Ensure all up-stream PV joints from PV are sealed with High temperature silicone sealant.



NOTE: If clearances are below 64" non-combustible materials, (steel studs and concrete board) MUST BE USED. For further information contact fireplace manufacturer.

Figure 8. Tjernlund PV system, wiring.

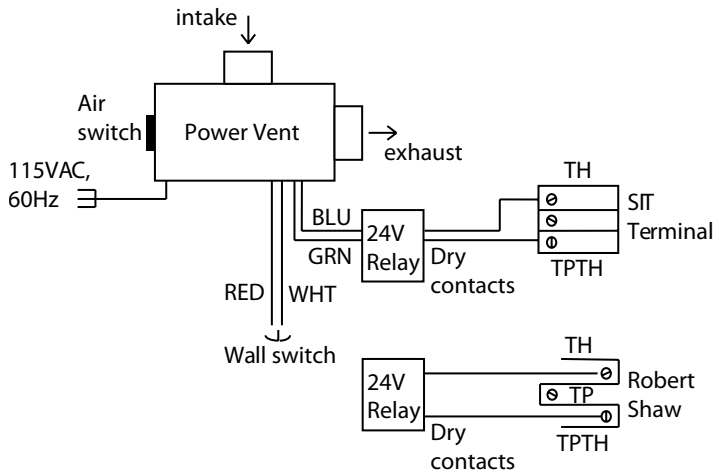


Figure 9. VL36BN Wiring diagram with millivolt system.

Confirming proper venting of Appliance.

To check for proper drafting use this procedure.

- 1). Place unit in operation and allow to run for approximately (5)-minute to establish a up-draft.
- 2). Using a match or something that will produce smoke, place it up to the opening of the draft hood and verify that the flame or smoke is being drawn into the draft hood. If the flame or smoke is blown away from the draft hood opening. You may have to re-check the venting and verify there is a minimum of 12'-0" feet of venting, or check the house for negative pressure.

Spill switch Relief opening



Installation with 4" diameter aluminum venting into an existing type "A" wood fireplace chase.

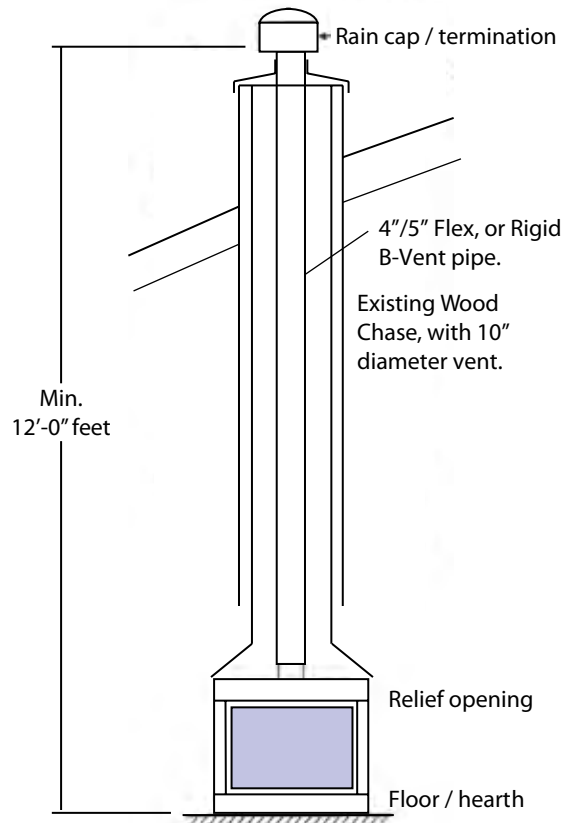


Figure 10. VL36BN installation where a wood fireplace chase exists.

Section 4: Finishing

Finishing Around the Fireplace

Combustible mantels and mouldings may be safely installed over the top and on the front of the fireplace provided that they do not project beyond shaded area shown in Figure 6a. Side wall clearances are (6").

DO NOT COVER the lower Access Cover, as shown in Figure No. 13. **The result will be an obstruction of the incoming Combustion Air, and A FIRE COULD RESULT.**

Refer to the current **CAN/CGA B-149.1** and **.2** or **ANSI Z223.1-1988** Gas Installation Code for specific vent sizing.

Fireplace Mantle

When selecting the finish material for your fireplace, it is important to remember the following: **THE RELIEF OPENING MUST NOT BE OBSTRUCTED IN ANY WAY** - to do so restricts the air supply for the draft hood and heat exchanger it also prevents access for servicing of the limit switch.

The face of the fireplace may be painted to match the room decor, provided you use a heat-resistant paint. Decorative facing must not extend past the fireplace opening at all, because it will interfere with the access to retainers for removal of glass door.

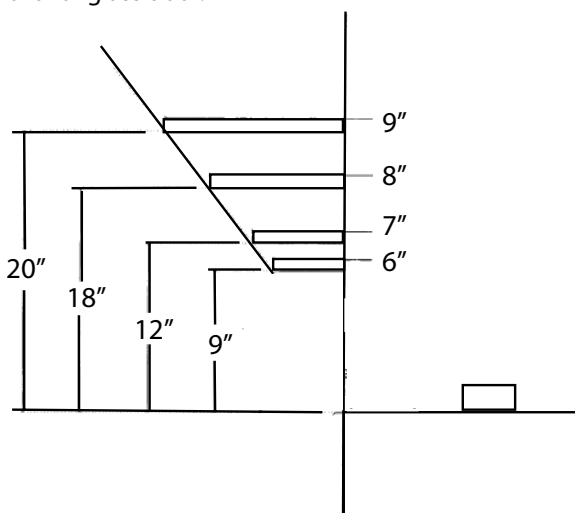
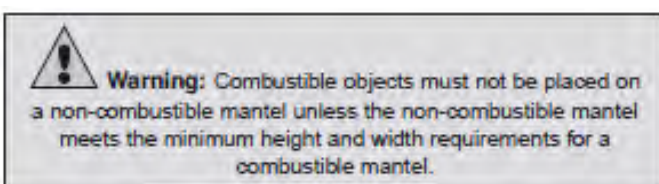


Figure 12. Combustible mantel clearances above fireplace..



Mantels & Surrounds

NOTE: National Canadian Gas Association mantel test requirements are for fire hazard prevention to combustible materials.

New technology, to meet consumer and government demands for the wise use of energy, has prompted us to manufacture many models of fireplaces which are hot, fuel and energy efficient.

Please be aware; temperatures over the mantel will rise above normal room temperature and walls above fireplace may be hot to touch.

We recommend careful consideration be given to the effects of elevated mantel temperatures which may be in excess of product design, for example: candles, plastic or pictures. This can cause melting, deformation, discoloration or premature failure of T.V. and radio components.

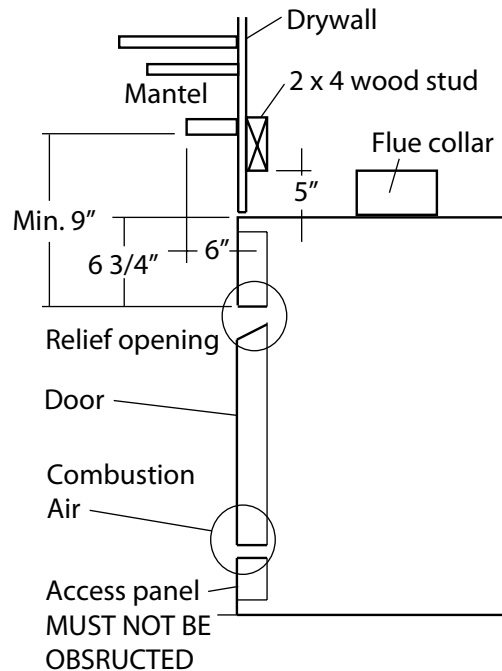


Figure 13. Combustible framing clearances above fireplace.

Painting:

Special care is recommended by the Master Painters and Decorators Association, when painting the fireplace surrounds, to select and apply a quality Alkyd sealer prior to the applying of latex paints. This is to prevent leaching of water from evaporation and causing a brownish staining effect to paint over coats.

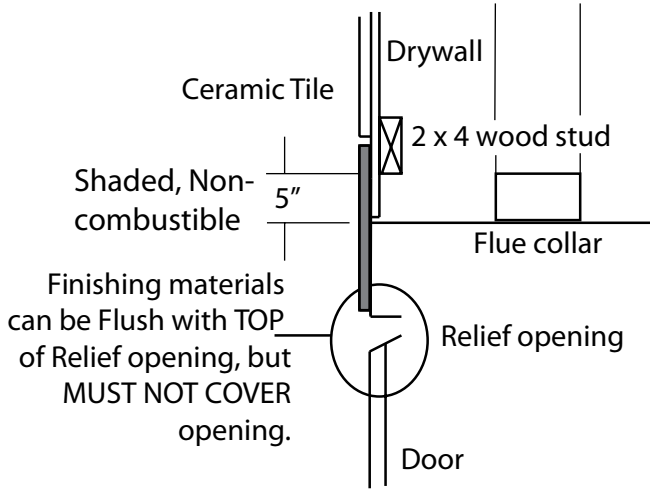
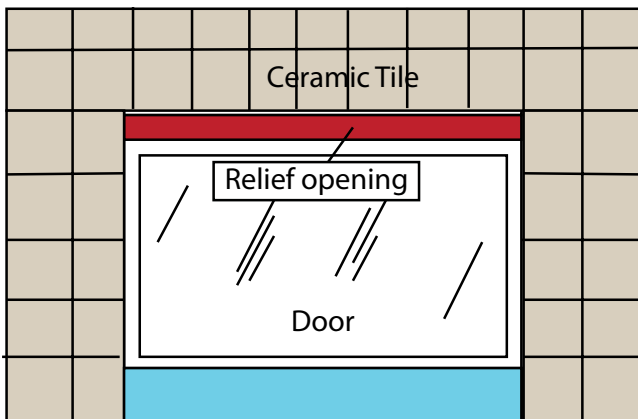


Figure 14. Finishing materials above Relief opening.

NOTE: RELIEF OPENING MUST NOT BE COVERED WHEN ADDING FINISHING MATERIALS AROUND FIREPLACE OPENING. See Figure 14 above, and Figure 15 below.



Finishing materials can be Flush with TOP of Relief opening, but MUST NOT COVER opening. Lower panel must be left uncovered for access to internal components, burner, optional fans, electrics, etc.

Figure 15. Finishing materials above Relief opening.

NOTE: RELIEF OPENING MUST NOT BE COVERED WHEN ADDING FINISHING MATERIALS AROUND FIREPLACE OPENING. See Figure 12 above, and Figure 13 below.

Section 5: Wiring

Gas Control and Pilot Wiring

SIT Millivolt Valve, 820.618, with On/off.

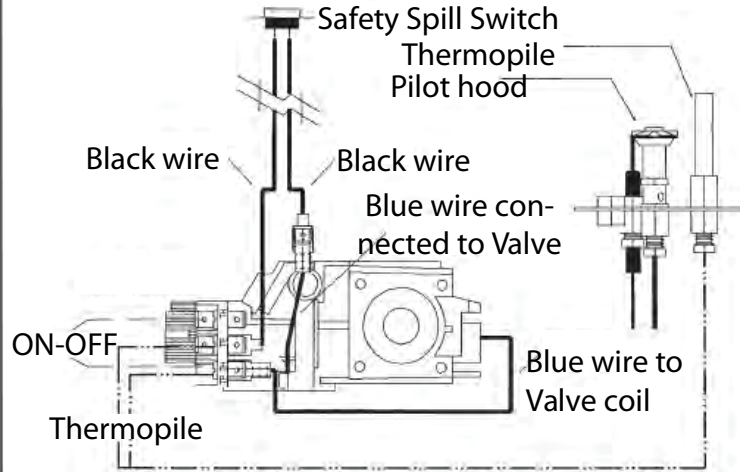


Figure 16. SIT Millivolt valve, VL36BN Fireplace.

Gas Control and Pilot Wiring: IPI System

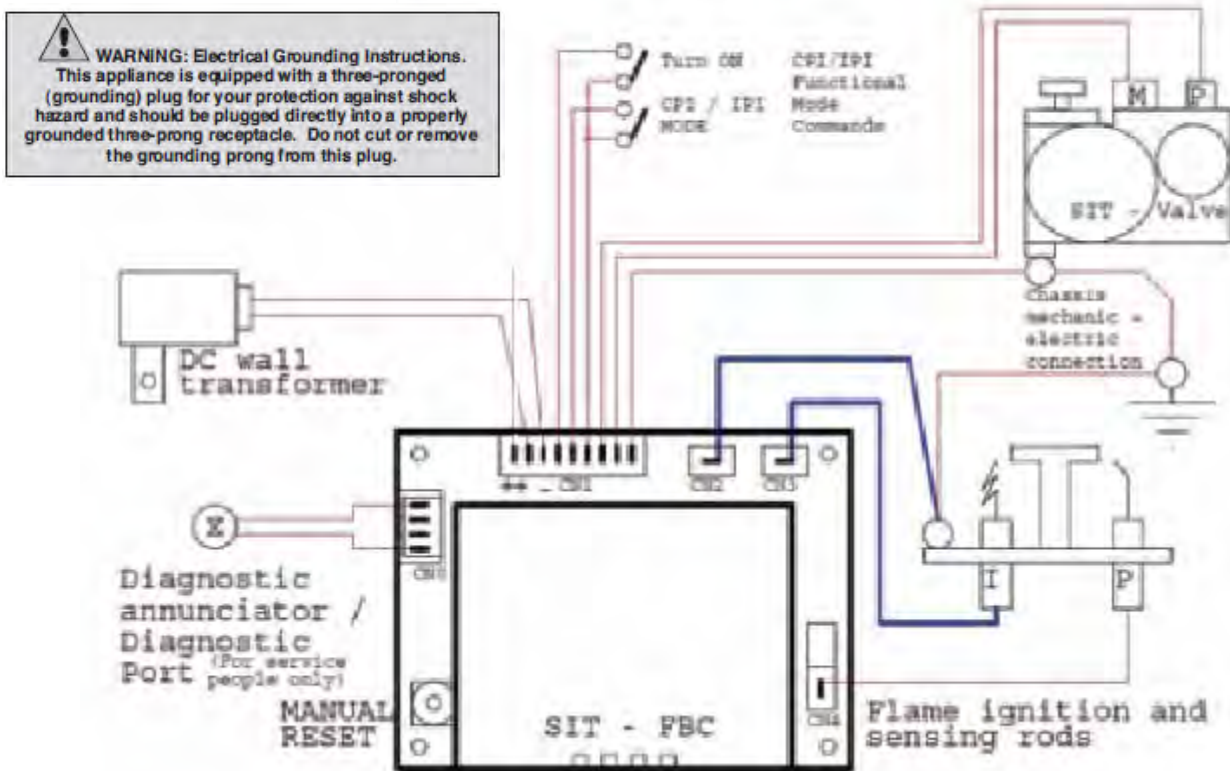


Figure 17. IPI Electronic gas valve, VL36BN Fireplace.

Spare Parts List, Millivolt and IPI.

Spare Parts VL36BN			
Millivolt Part Description	Part Number	IPI Part Description	Part Number
Gas Valve - SIT millivolt	RGV002	Gas Valve - SIT-IPI	RGV001
Gas Valve - Robertshaw millivolt	RGV003	Pilot Assembly SIT - IPI	RPA01
Pilot Assembly SIT millivolt	RPA02	Flame sensor IPI	RFS01
Thermopile	RTP01	Flame sparker IPI	RFS02
Piezo SIT Ignitor	PIEZO	IPI Ignition board	REB01
Pilot Orifice millivolt	RPO01	IPI Wire harness for remote control	RWH02
Door assembly	RDA01	IPI Wire harness for basic WS	RWH01
Burner tube	RBA01	IPI transmitter- remote	RTT01
Burner orifice	RBO01	IPI receiver	RRC01
Spill switch assbly wire/bracket	RFS01	IPI AC transformer	RTR01
Fan Pack	RFK01	Pilot Orifice IPI	RPO02
Fan wire harness	RWH03	Burner reflective white glass	RGW

Spill Switch:

The **VL36BN** gas fireplace uses the 820.618 and Robert-Shaw 7000 Series True Millivolt Systems. This System does not have a thermocouple.

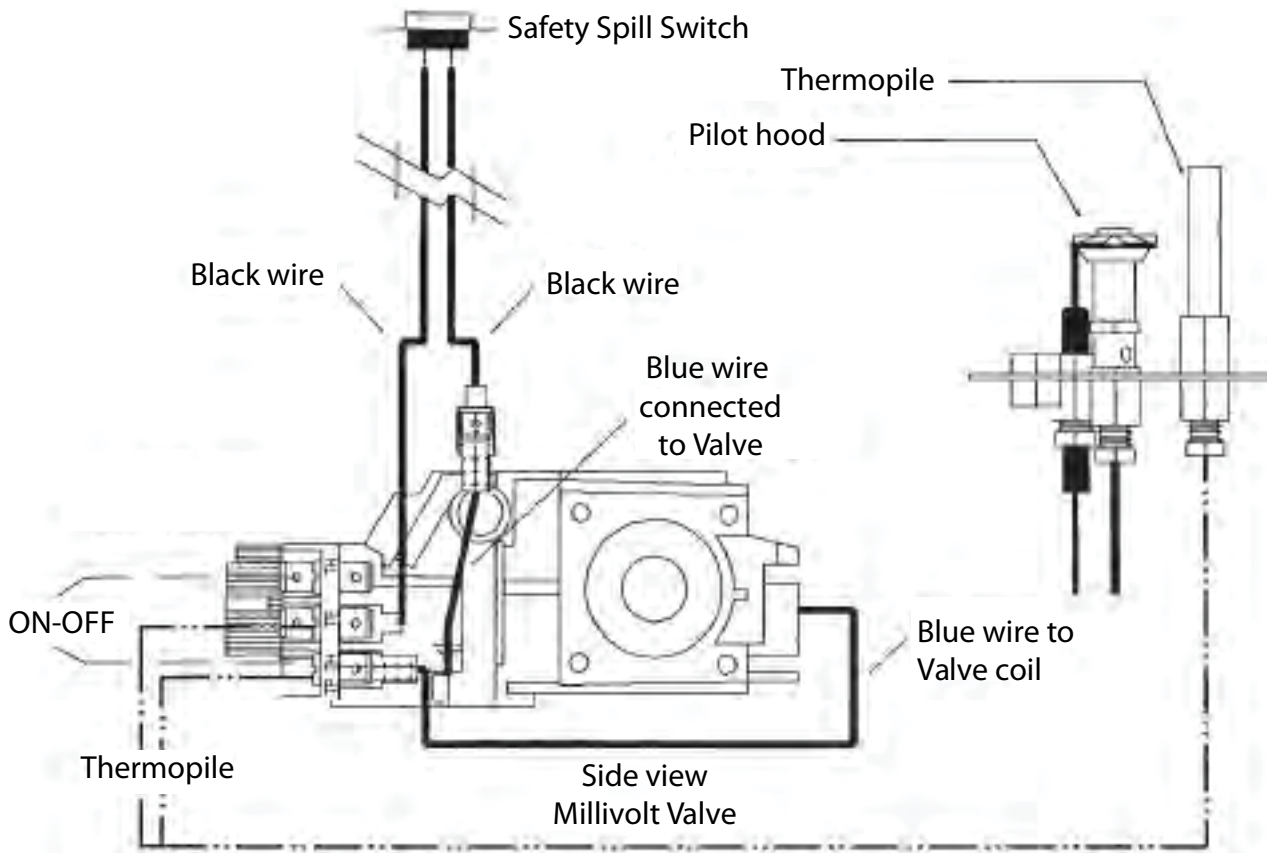
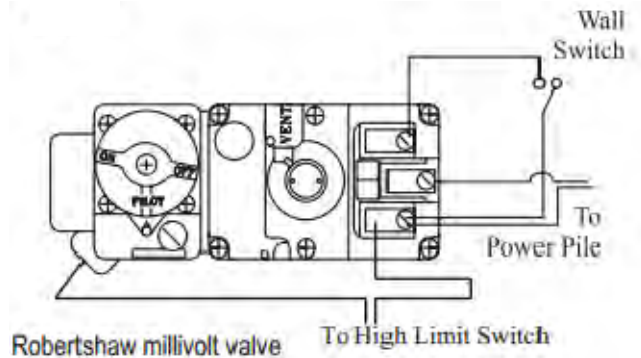


Figure 18. VL36BN Spill Switch.

Warning and Cautions.

- Do not clean when the glass is hot.
- Do not use abrasive cleaners.
- Using a substitute glass will void all product warranties.
- Do not strike or abuse glass. Care must be taken to avoid breakage of the glass.
- Do not operate this fireplace without the glass front or with a broken glass.



Section 6: Removing the Door

Removing the door:

The **VL36BN** door is removed in a few simple steps. Follow these instructions below to remove the Horizontal access panel, unlatch the door buckles and, remove the door. Replace in reverse order.

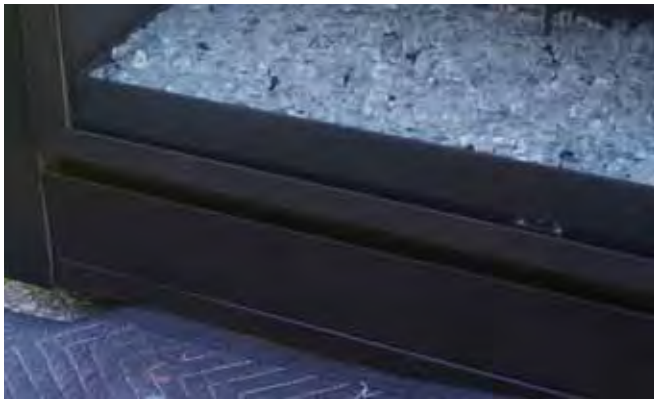


Figure 20. Remove lower Access Cover.



Figure 21. Remove lower left Door retaining screw.



Figure 22. Remove lower right Door retaining screw.



Figure 23. Swing Door away from the Fireplace.



Figure 24. Remove Door by grabbing both sides of the frame, Lifting up, pull the Door away from fireplace. Store the Door in a safe place where it will not get damaged. Replace in reverse order.

Section 7: Installing the Gasline

Gasline Installation:

This gas appliance should be installed by a qualified installer in accordance with local building codes and with current CAN/CGA - B149.1 or .2 installation codes for Gas Burning appliances and equipment in Canada.

1. The gas pipeline can be brought in ONLY through the left side of the appliance. A knockout is provided at either location to allow for the gas pipe installation and testing of any gas connection.
2. The gas control inlet is 3/8" NPT.
3. When using copper or flex connector, use only approved fittings. Always provide a union so that gas line can be easily disconnected for burner or fan servicing. See gas specification for pressure details and ratings.
4. When a vertical section of gas pipe is required for the installation, a condensation trap is needed. See CAN/CGA-B149.1 or .2 for code details.
5. For natural gas, a minimum of 3/8" iron pipe with gas minimum pressure of 5.5 w.c. must be used for supply from the gas meter. Consult with the local gas utility if any questions arise concerning pipe sizes.
6. 1/8" NPT plugged tappings are accessible for test gauge connection both on the inlet and outlet of the gas valve.
7. Turn the gas supply ON and check for leaks. DO NOT USE OPEN FLAME FOR THIS PURPOSE. Use an approved leak testing solution.
8. The appliance and its individual shutoff valve must be disconnected from the gas supply piping system during any pressure testing of that system at test pressures in excess of 1/2 PSIG (3.5 KPa).
9. The appliance must be isolated from the gas supply piping system by closing its individual shutoff valve during any pressure testing of the gas supply piping system at test pressures equal to or less than 1/2 PSIG (3.5 KPa).

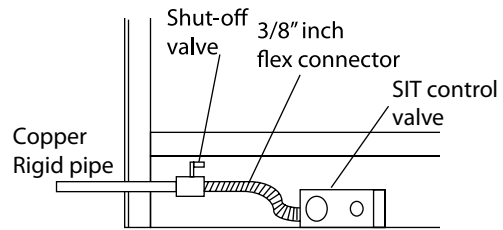


Figure 25. Gas Line / Valve Installation.

Gas Specifications and Ratings:

Model
 VL36BN - NG - Millivolt; 18,000 BTU/h
 VL36BNE - NG - IPI; 18,000 BTU/h

Gas Inlet
 Gas Supply Min. 5.5 WC
 Max. 14.7 WC

Manifold Pressure; 3.5 WC
 Orifice Size, #47dms; air shutter closed.



Section 8: Operation: Lighting Instructions




SIT Millivolt Valve:

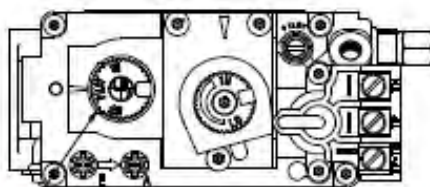
For Your Safety - READ BEFORE LIGHTING:

WARNING: If you do not follow these instructions exactly, a fire or explosion may result causing property damage, personal injury or loss of life.

- A. This appliance has a pilot which must be lighted by hand. When lighting the pilot, follow these instructions exactly.
- B. **BEFORE LIGHTING** smell all around the appliance area for gas. Be sure to smell next to the floor because some gas is heavier than air and will settle on the floor.
What To Do If You Smell Gas:
 - Do not try to light any appliance.
 - Do not touch any electrical switch; do not use any phone in your building.
 - Immediately call your gas supplier from a neighbour's phone. Follow the gas supplier's instructions.
 - If you cannot reach your gas supplier, call the Fire Department.
- C. Use only your hand to push in or turn the gas control knob. Never use tools. If the knob will not push in or turn by hand, don't try to repair it, call a qualified service technician. Force or attempt to repair may result in a fire or explosion.
- D. Do not use this appliance if any part has been under water. Immediately call a qualified service technician to inspect the appliance and to replace any part of the control system, and any gas control which has been under water.

Lighting Instructions:


1. **STOP!** Read the safety information above on this label.
2. Flip down the lower trims.
3. Push in gas control knob and turn clockwise  to "OFF."
4. Wait five (5) minutes to clear out any gas. Smell for gas, including near the floor. If you then smell gas, **STOP!** Follow "B" in the safety information above on this label. If you don't smell gas, go to the next step.
5. Locate pilot burner (See illustration at right.) and follow steps below.
6. Turn knob on gas control counter clockwise  to "PILOT."
7. Push in gas control knob completely and hold. Light with Piezo Igniter button. Continue to hold the control knob in for about (1) minute after the pilot is lit. Release the knob and it will pop back up. Pilot should remain lit. If it goes out repeat steps 3 through 8.
 - If knob does not pop up when released. Stop and immediately call your service technician or gas supplier.
 - If the pilot will not stay lit after several tries, turn the gas control knob to "OFF" and call your service technician or gas supplier.
8. Push in gas control knob and turn counter-clockwise  to "ON."
9. Flip up the lower trim.
10. Turn on remote switch to ignite fire.



(Shown in "Pilot" position.)
Gas Control Knob

NOTE: Gas control knob cannot be turned from "PILOT" to "OFF" unless knob is pushed in slightly. Do not force.

To Turn Off Gas To Appliance:

1. Turn off remote switch.
2. Flip down the lower trim.
3. Push in gas control knob slightly and turn  clockwise to "Off". Do not force.
4. Flip up the lower trim.

SIT IPI Valve:

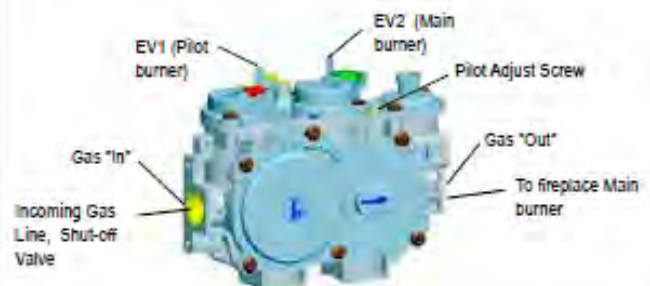
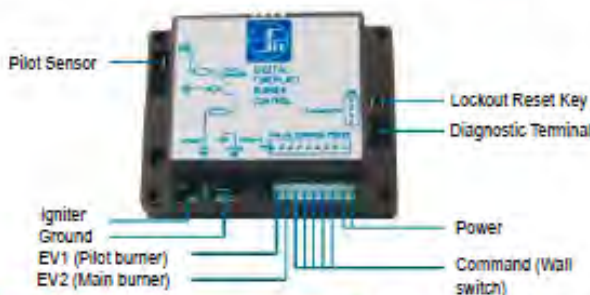
For Your Safety - READ BEFORE LIGHTING:

WARNING: If you do not follow these instructions exactly, a fire or explosion may result causing property damage, personal injury or loss of life.

- | | |
|--|--|
| <p>A. This appliance is equipped with an ignition system that lights the pilot burner automatically. Do not attempt to light the pilot by hand.</p> <p>B. BEFORE LIGHTING smell all around the appliance area for gas. Be sure to smell next to the floor because some gas is heavier than air and will settle on the floor.</p> <p>What To Do If You Smell Gas:</p> <ul style="list-style-type: none"> ■ Do not try to light any appliance. ■ Do not touch any electrical switch; do not use any phone in your building. ■ Immediately call your gas supplier from a neighbour's | <p>phone. Follow the gas supplier's instructions.</p> <ul style="list-style-type: none"> ■ If you cannot reach your gas supplier, call the Fire Department. <p>C. Use only your hand to push in or turn the gas control knob. Never use tools. If the knob will not push in or turn by hand, don't try to repair it, call a qualified service technician. Force or attempt to repair may result in a fire or explosion.</p> <p>D. Do not use this appliance if any part has been under water. Immediately call a qualified service technician to inspect the appliance and to replace any part of the control system, and any gas control which has been under water.</p> |
|--|--|

Lighting Instructions:

- | | |
|---|---|
| <ol style="list-style-type: none"> 1. STOP! Read the safety information above on this label. 2. Remove the lower Horizontal access panel. 3. Turn Incoming gas valve to the "ON" position. 4. Wait 5 minutes to clear out any gas. If you smell gas, STOP! Follow "B" in the safety information above on this label. If you don't smell gas, go to the next step. 5. Turn wall switch "ON". 6. If the Fireplace does not light, the System will cycle through | <p>two trials, (one minute audible clicking, thirty seconds of silence, and then another one minute of audible clicking).</p> <ol style="list-style-type: none"> 7. After completion of the information in the Troubleshooting section, Repeat step 5. 8. If the system will not function correctly, follow the instructions "To Turn Off Gas To Appliance" and call your service technician or gas supplier. |
|---|---|



To Turn Off Gas To Appliance:

- | | |
|--|---|
| <ol style="list-style-type: none"> 1. Turn off remote switch. 2. Remove the lower Horizontal access panel. | <ol style="list-style-type: none"> 3. Turn the incoming gas control valve to "Off". 4. Replace the lower Horizontal access panel. |
|--|---|



Robert Shaw Millivolt Valve:

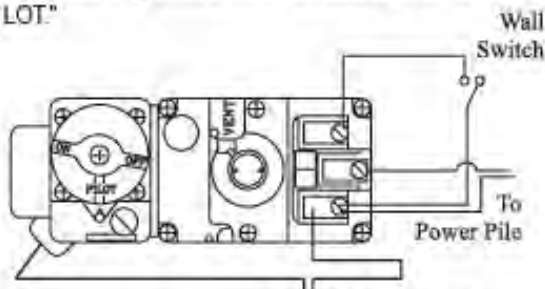
For Your Safety - READ BEFORE LIGHTING:

WARNING: If you do not follow these instructions exactly, a fire or explosion may result causing property damage, personal injury or loss of life.

- A. This appliance has a pilot which must be lit by hand. When lighting the pilot, follow these instructions exactly.
- B. **BEFORE LIGHTING** smell all around the appliance area for gas. Be sure to smell next to the floor because some gas is heavier than air and will settle on the floor.
What To Do If You Smell Gas:
 - Do not try to light any appliance.
 - Do not touch any electrical switch; do not use any phone in your building.
 - Immediately call your gas supplier from a neighbour's phone. Follow the gas supplier's instructions.
 - If you cannot reach your gas supplier, call the Fire Department.
- C. Use only your hand to push in or turn the gas control knob. Never use tools. If the knob will not push in or turn by hand, don't try to repair it, call a qualified service technician. Force or attempt to repair may result in a fire or explosion.
- D. Do not use this appliance if any part has been under water. Immediately call a qualified service technician to inspect the appliance and to replace any part of the control system, and any gas control which has been under water.

Lighting Instructions:

1. **STOP!** Read the safety information above on this label.
2. Flip down the door on the bottom of the faceplate.
3. Push in gas control knob and turn clockwise ↻ to "OFF"
4. Wait five (5) minutes to clear out any gas. Smell for gas, including near the floor. If you then smell gas, **STOP!** Follow "B" in the safety information above on this label. If you don't smell gas, go to the next step.
5. Locate pilot burner and follow steps below.
6. Turn knob on gas control counterclockwise ↻ to "PILOT."
7. Push in gas control knob completely and hold. Light with Piezo Igniter button. Continue to hold the control knob in for about (1) minute after the pilot is lit. Release the knob and it will pop back up. Pilot should remain lit. If it goes out repeat steps 3 through 8.
 - If knob does not pop up when released. Stop and immediately call your service technician or gas supplier.
 - If the pilot will not stay lit after several tries, turn the gas control knob to "OFF" and call your service technician or gas supplier.
8. Push in gas control knob and turn counterclockwise ↻ to "ON."
9. Flip up the faceplate door.
10. Turn on remote switch to ignite fire.



Robertshaw millivolt valve To High Limit Switch

To Turn Off Gas To Appliance:

1. Turn off remote switch.
2. Flip down the door on the bottom of the faceplate.
3. Push in gas control knob slightly and turn ↻ clockwise to "Off". Do not force.
4. Flip up the faceplate door.

Section 9: Optional fan kit

Installation and Servicing:


The VL36BN gas fireplace is equipped with a 120VAC, 60Hz. optional blower.

The circulating fan has been designed to increase the efficiency of convection heat by providing a very quiet air flow over the combustion chamber of the fireplace and discharging heated air into your living space.


The fan can be controlled by turning the black knob (located below the control compartment) clockwise to slow the fan down, and counterclockwise to speed the fan up.

The blower is automatically controlled by a thermally activated switch positioned behind the burner and below the burner tray which will activate when the Fireplace has heated up, (automatically 15-20 minutes), and will prevent the fan from operating when the fireplace is cold.

NOTE: ALL electric work on this fireplace must conform with local building codes, and CSA 2.22 electrical code requirements.

 **WARNING: Electrical Grounding Instructions.**
This appliance is equipped with a three-pronged (grounding) plug for your protection against shock hazard and should be plugged directly into a properly grounded three-prong receptacle. Do not cut or remove the grounding prong from this plug.

 **WARNING:**A qualified electrician must connect electrical wiring to junction outlet for built-in installation

 **WARNING:** Label all wires prior to disconnection when servicing controls. Wiring errors can cause improper and dangerous operation.
Verify proper operation after servicing.

For Servicing a fan installation, follow these steps.

- 1). Remove the door, remove both screws from bottom door corners, and swing the door upright until the upper three (3) tabs loosen.
- 2). Remove the front decorative trim from the glass tray, the glass media, and the glass burner tray itself. The burner glass tray is removed by removing all 11-bolts from around the burner.
- 3). Undo the gas line, and the burner tray (9-bolts) all around, and remove the tray to the outside of the fireplace.
- 4). The blower compartment is placed on the right-hand side, back corner of the fireplace, behind the separation wall.



Figure 30. Location of blower.

The blower is supplied with a mounting bracket which has two (2) holes for bolting down the fan support bracket. Slide the blower into the fan blower compartment and bolt it down to the support.



Figure 31. Sliding the blower into place.



Figure 32. Location of blower mounting screws.

5). Install the thermally activated switch behind the burner as per the image (Figure 22), and slide the wires into the valve compartment.



Figure 33. Mounting the thermal switch.

6). Install the fan speed control on the front bracket, and connect the wiring as shown in image (Figure 34).

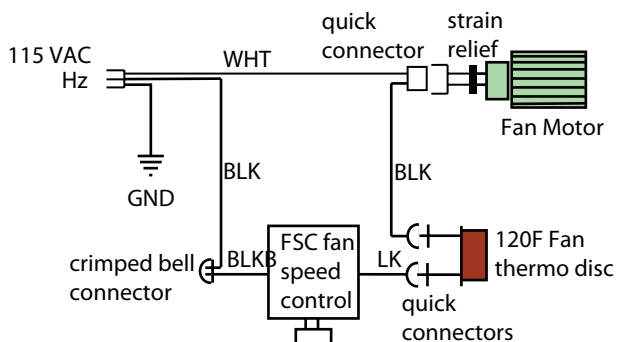


Figure 34. Wiring the fan and fan speed control.

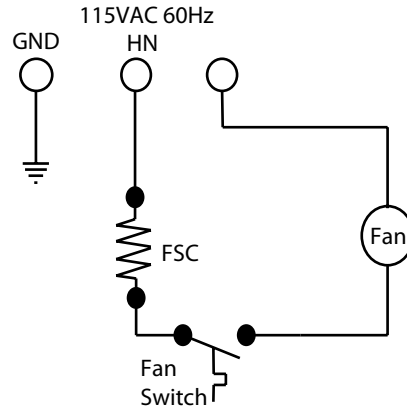


Figure 35. Fan wiring schematic.

Glass Media placement:

The VL36BN gas fireplace is equipped with glass media of choice. Please install as shown below.



Figure 36. Firebox without media installed.



Figure 37. Firebox with media installed.

NOTE: For better fireplace burner performance do not place more than one layer of glass media over the burner ports. Fireplace is delivered with 6Lbs. of glass media.



Operation

Lighting Instructions:

See Page 14, 15 & 16.

Burner Adjustment:

The VL36BN gas fireplace is a fixed flame height, No adjustment is necessary.

General:

1. Have the fireplace installation inspected yearly, including a visual check of the vent system, the burner and the pilot flame. For your convenience a 1/8" manifold pressure tap is supplied on the gas valve for a test gauge connection. See Figure 19.
2. For **Natural Gas** this appliance requires a minimum inlet pressure of 5.5" W.C. and a manifold pressure of 3.5" W.C.
3. Always keep the fireplace area clear and free of combustible materials, as well as gasoline and other flammable vapours and liquids.
4. Do not use this appliance if any part has been under water. Immediately call a qualified service technician to inspect the appliance and to replace any part of the control system and any gas control which has been under water.

Cleaning:

When the fireplace is first activated, there may be some smoking and a visible film may be left on the glass. This is a normal condition, and is the result of burning of protective coatings on new metal.

1. Glass must be cleaned periodically to remove any film (which is a normal byproduct of combustion) which may be visible. Film can easily be removed by removing the door, as shown on page 12. Handle the door carefully, and clean it with non-abrasive glass cleaners. One of the most effective products is Kel Kem.
2. Silicone seals on inner door during initial firing will "off gas", leaving a visual deposit of a white substance on combustion chamber walls. This can easily be removed using normal household products.
3. Use a vacuum cleaner or whisk broom to keep the control compartment, burner, and firebox free from dust and lint.

Maintenance

Gas Control Valve:

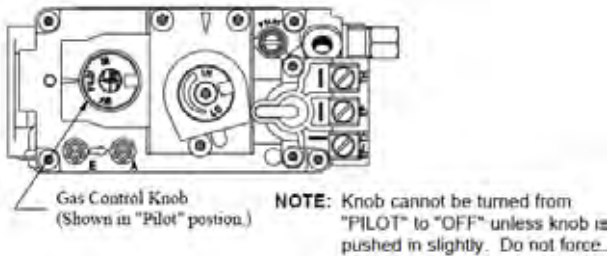


Figure 40. SIT Nova 820 gas valve.

Pilot Burner Adjustment:

1. Locate Pilot Adjustment Screw. (See figure 19.)
2. Adjust pilot screw to provide properly sized flame as shown in figure 19).
3. After installing or servicing, leak test with a soap solution with main burner on. Coat pipe and tubing joints, gasket etc. with soap solution. Bubbles indicate leaks. Tighten any areas where the bubbles appear until the bubbling stops completely.

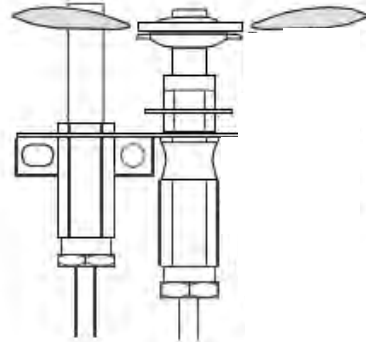


Figure 41. Pilot Burner.

Troubleshooting:

The following information grid is a troubleshooting chart of possible problems:

NOTE: Before troubleshooting the gas control system, be sure external gas shut off is in the "On" position.

Problem	Possible Causes	Corrective Action
Spark igniter will not light.	Defective or misaligned electrode at pilot.	Check for spark at electrode and pilot: if no spark and electrode wire is properly connected, replace igniter.
	Defective igniter (push-button)	Using a match, light pilot. If pilot lights, turn off pilot and push the red button again. If pilot will not light - check gap at electrode and pilot should be 1/8" to 1/4" to have a strong spark.
Pilot will not stay lit after carefully following lighting instructions.	Defective safety spill switch	Check pilot flame. Must impinge on generator and thermocouple. Clean and/or adjust pilot for maximum flame impingement on generator and thermocouple. Be sure wire connections from spill safety switch are connected securely to wires on back of valve. If pilot still doesn't light, unplug spill switch wires at valve and then plug thermocouple wires (blue in color) together. If this works, the spill switch is defective.
	Defective thermocouple	Replace thermocouple
	Defective valve magnet.	Turn valve knob on "On", place wall switch on "On". Millivolt meter should read greater than 100mV. If the reading is okay and the burner does not come on, replace the gas valve.
Pilot burning, no gas to burner, Valve knob "ON", Wall Switch "ON"	Wall switch or wires defective.	Check wall switch and wires for proper connections. Jumper wire across terminals at wall switch. If burner comes on, replace defective wall switch. If okay, jumper wires, across wall switch wires at valve. If burner comes on, wires are faulty or connections are bad.
	Generator may not be generating sufficient voltage.	Check generator with millivolt meter. Take reading at generator terminals of gas valve. Should read 325 millivolts minimum while holding valve knob depressed in pilot position and wall switch "off" Replace faulty generator if reading is below specified minimum.
	Plugged burner orifice.	Check burner orifice for stoppage and remove.
	Defective automatic valve operator.	Remove wall switch wires from gas valve. Install jumper wires from top bottom terminals of gas valve. Turn valve on "ON". If main burner does not light, replace valve.
Frequent Pilot outage problem.	Pilot flame may be too low or blowing (high) causing the pilot safety to drop out.	Clean and/or adjust pilot flame for maximum flame impingement on generator and thermocouple.



The Warranty

The Companies warrants the Vanox Gas Appliance to be free from defects in materials and workmanship at the time of manufacture. On the Vanox fireplace, there is a ten-year warranty on the firebox and its components, a five-year warranty on the main burner and pilot burner, and a one-year warranty on the gas control valve. The Glass, plated / painted finishes are exempt from the warranty.

Remedy And Exclusions

The coverage of this Warranty is limited to all components of the Gas Appliance manufactured by The Companies. This Warranty only covers Vanox Gas Appliances installed in British Columbia. If the components of the Gas Appliance covered by this Warranty are found to be defective within the time frame stated (see The Companies right of investigation outlined below). The Companies will, at its option, replace or repair defective components of the Gas Appliance manufactured by The Companies at no charge, and will also pay for reasonable labour costs incurred in replacing or repairing components. If repair or replacement is not commercially practical, The Companies will, at its option, refund the purchase price of the Vanox Gas Appliance. This Warranty covers only parts and labour as provided above. In no case shall The Companies be responsible for materials, components, or construction which are not manufactured or supplied by The Companies, or for the labour necessary to install, repair or remove such materials, components or construction. All replacement or repair components will be shipped F.O.B. the nearest The Companies factory.

Qualifications To The Warranty

The Gas Appliance Warranty outlined above is further subject to the following qualifications:

(1) The Gas Appliance must be installed in accordance with The Companies installation instructions and local building codes. The Warranty on this Vanox Gas Appliance covers only the component parts manufactured by The Companies. The use of components manufactured by others with this Vanox Gas Appliance could create serious safety hazards, may result in the denial of certification by recognized national safety agencies, and could be in violation of local building codes. This warranty does not cover any damages occurring from the use of any components not manufactured or supplied by The Companies

(2) The Vanox Gas Appliance must be subjected to normal use. The Gas Appliances are designed to burn gas only. Burning conventional fireplace fuels such as wood, coal or any other solid fuel will cause damage to the Gas Appliance, will produce excessive temperatures and will result in a fire hazard.

Limitations On Liability

It is expressly agreed and understood that The Companies sole obligation, and purchaser's exclusive remedy under this Warranty, under any other warranty, expressed or implied, or in contract, tort or otherwise, shall be limited to replacement, repair, or refund, as specified above. In no event shall The Companies be responsible for any incidental or consequential damages caused by defects in its products, whether such damage occurs or is discovered before or after replacement or repair, and whether or not such damage is caused by The Companies negligence. Some states do not allow the exclusion or limitation of incidental or consequential damages, so the above limitation or exclusion may not apply to you. The duration of any implied warranty with respect to this Vanox Gas appliance is limited to the duration of the foregoing warranty. Some states do not allow limitation on how long an implied warranty lasts, so the above may not apply to you.

Investigation Of Claims Against Warranty

The Companies reserves the right to investigate any and all claims against this Warranty and to decide upon method of settlement. The Companies Are Not Responsible For Work Done Without Written Consent. The Companies shall in no event be responsible for any warranty work done without first obtaining The Companies written consent. Dealers Have No Authority To Alter This Warranty. The Companies employees and dealers have no authority to make any warranties nor to authorize any remedies in addition to or inconsistent with those stated above.

How To Register A Claim Against Warranty

In order for any claim under this Warranty to be valid, The Companies must be notified of the claimed defect in writing or by telephone, as soon as reasonably possible after the defect is discovered. Claims against this Warranty in writing should include the date of installation, and a description of the defect.

Other Rights

This Warranty gives you specific legal rights, and you may also have other rights which vary from state to state.

NOTE: The Companies as stated above refer to - Vanox Fireplace Inc..

Vanox Fireplace Inc. reserves the right to make changes at any time, without notice, in design, materials, specifications, prices and also to discontinue colors, styles and products.



Notes



Notes

VANOX Fireplace Inc.



Vanox Fireplaces Inc.
Port Coquitlam
BC

P r i n t e d i n C a n a d a

Part. No. VL36BN-Man-073013